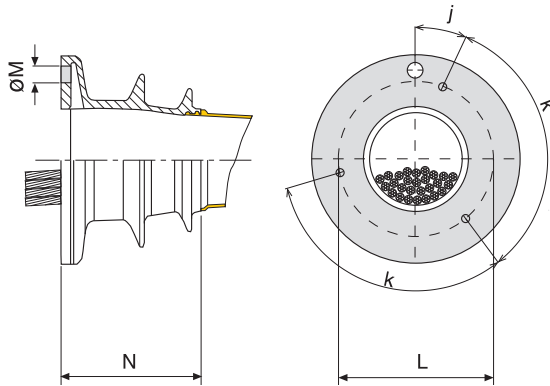
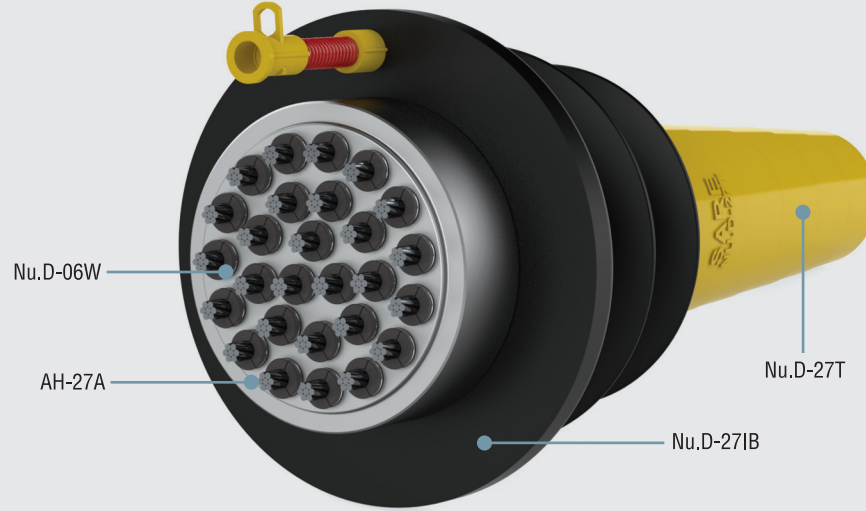


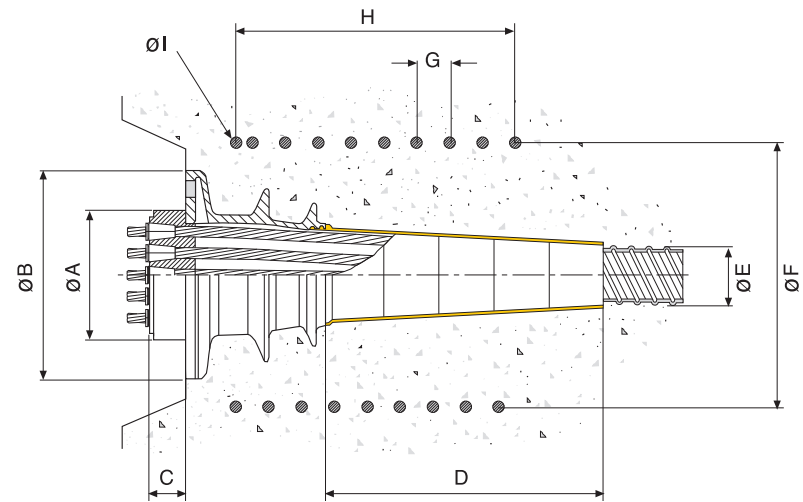
AG-27

27 Halatlı Aktif Tip Ard Germe Grubu 27 Strand Active Post Tension Group

AG-27	Adet / Number	(i) Sayfa / Page
AH-27A	1	33
Nu.D-27IB	1	34
Nu.D-27T	1	35
Nu.D-06W	27	32
Germe Krikosu / Stressing Jack (i) Sayfa / Page		
SJM-805 / 330		37
Galvaniz Boru / Galvanized Corrugated Duct (i) Sayfa / Page		
GSP-27		38
Grup Kapasitesi / Group Capacity		
0.5"		6210 kN
0.6"		7452 kN
0.62"		7695 kN



Model No.	J	K	L	M	N
	Ø (mm)	Ø (mm)	Ø (mm)	Ø (mm)	mm
Nu.D-27IB	15°	120°	325	G 1"	262



Model No.	A	B	C	D	E	F	G	H	I
	Ø (mm)	Ø (mm)	mm	mm	Ø (mm)	Ø (mm)	mm	mm	Ø (mm)
AG-27	248	372	82	472	117	470	80	640	20