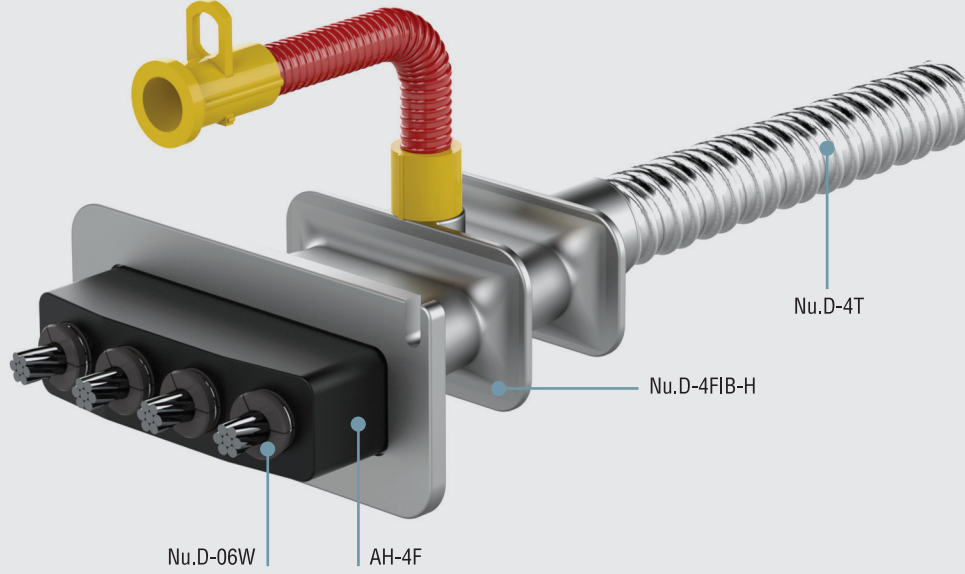


Düz Tip Ard Germe Grubu
Flat Type Post Tension Group

FL-H



Germe Krikosu / Stressing Jack

(İ) Sayfa / Page

SJS-1L / 200

37

Galvaniz Boru / Galvanized Corrugated Duct

(İ) Sayfa / Page

GSP-4

38

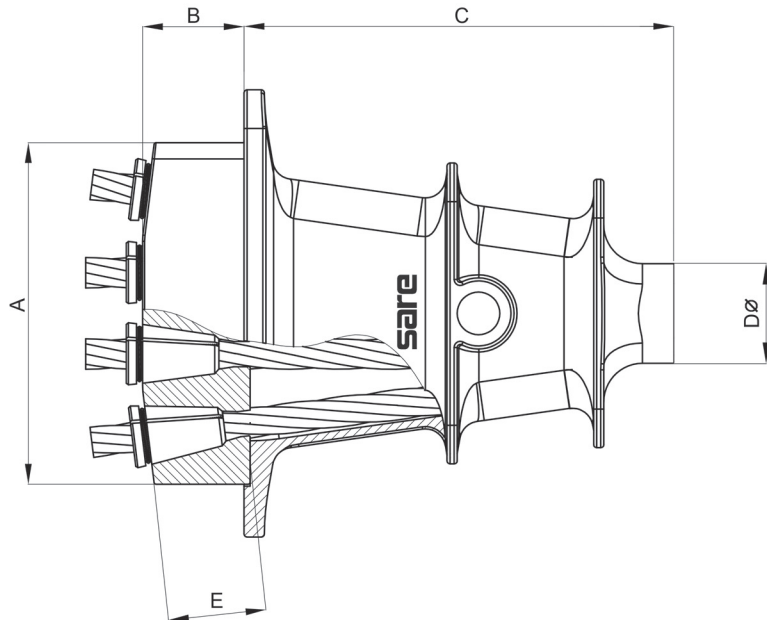
Grup Kapasitesi / Group Capacity

0.5" 2070 kN

0.6" 2484 kN

0.62" 2565 kN

FL-4H/06 Set



Model No.	A	B	C	D	E
	mm	mm	mm	Ø (mm)	mm
FL-3H/05	130	47	195	50	47
FL-4H/05	168	50	234		
FL-5H/05	205	50	245		
FL-3H/06	130	47	195		
FL-4H/06	168	50	234		
FL-5H/06	205	50	245		