

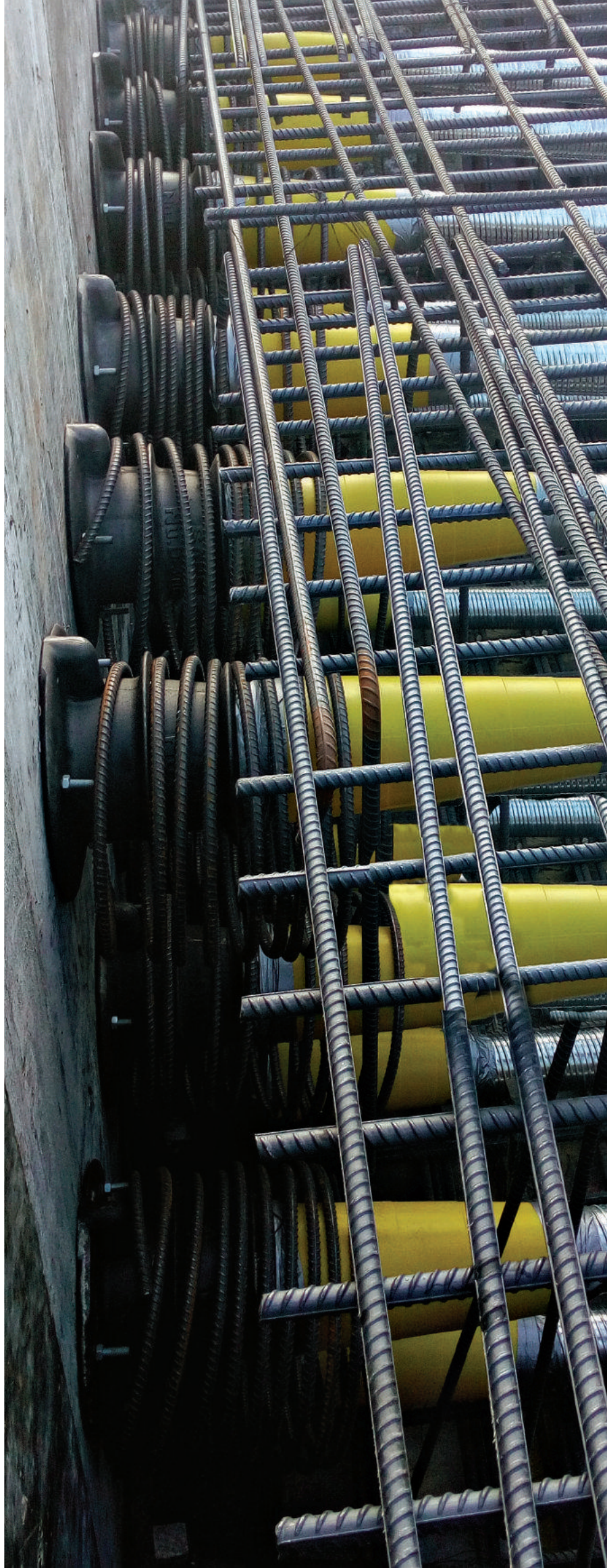
**sare**<sup>®</sup>  
GLOBAL  
High Quality Turkish Brand

**SINGLE AND  
MULTI STRAND  
POST-TENSIONING  
SYSTEM**



PRODUCTS CATALOG - S.GL3

[sareglobal.com](http://sareglobal.com)





## HISTORY

2001

SARE LTD. was founded in 2001 in Istanbul, Turkey.

2002

Technical infrastructure of the Ground Anchor systems which is the first R&D project was completed and it was started to produce auxiliary products for Temporary Multi Strand applications.

2004

High quality manufacturing infrastructure was developed and it was started to produce Permanent Anchor systems for Ground Anchor systems.

2005

R&D studies was continued for Strand systems and it was started to produce Pretensioning Products.

2007

Complementary products and anchor groups was started to manufacture for Multi & Mono Strand post-tensioning applications.

2009

It was added Bar system parts and Stressing groups used in dam and tunnel constructions to manufacturing line.

2011

In the light of manufacturing and construction site experiences, design and application unit of Hydraulic systems was established.

2013

It was started to design and implement Multi & Mono stressing Jack, Pile test systems, hydraulic maintenance and repair systems for bridge constructions.

2015

1-31 strand product portfolio was completed for Post tensioning Products and applied for certification with EOTA.

2017

ISO-14001 and ISO-45001 certificates was added beside to ISO 9001-2015 certificate for quality management.

2020

SARE ENDÜSTRİ LTD was established within the scope of hydraulic power applications for the construction sector and both companies were merged under the brand of SARE GLOBAL.

2021

In the 20th year of its establishment, it has been registered as a company that provides hydraulic equipment and Post Tensioning groups to dozens of projects in more than 20 countries.

2022

Post-Tensioning Kits for Prestressing of Structures certificate within the scope of EAD 160004-00-0301 was added into the scope.

2023

With over 20 years of knowledge, experience and manufacturing infrastructure, it continues its activities covering all diversified product groups.

## INDEX

What is the Post Tensioning?	4
What are the Advantages of the Post Tensioning System?	5
Prestressed Strand	6
PT Anchor Systems	8
AG Series - Active Group Parts	10
AG Series - Technical Details	12
AG Series - Order Numbers	16
PG Series - Active Group Parts	20
PG Series - Technical Details	22
PG Series - Order Numbers	26
PTA Series (Plate Type) - Technical Details	32
PTA Series - Order Numbers	38
CG Series - Couplers	44
CG Series - Technical Details	46
CG Series - Order Numbers	48
FL-F Series (Flat Type) - Technical Details	52
PTA Series (Plate Type) - Technical Details	54
GSP Series - Galvanized Ducts Technical Details	56
GSP Series - Galvanized Ducts Order Number	58
GSP Series - Tests and Performance Results	62
PP Series - Accessories	66
SR-I Series - Injection Pump	68
SR-I Series - Strand Pushing Machine	69
MSJ Series - Mono Strand Jacks	70
SJM Series - Multi Strand Stressing Jacks	72
SJM Series - Technical Details for 4 Strand	74
SJM Series - Technical Details for 7 Strand	76
SJM Series - Technical Details for 9 Strand	78
SJM Series - Technical Details for 12 Strand	80
SJM Series - Technical Details for 15 Strand	82
SJM Series - Technical Details for 19 Strand	84
SJM Series - Technical Details for 22 Strand	86
SJM Series - Technical Details for 27 Strand	88
SJM Series - Technical Details for 31 Strand	90
SJM Series - Technical Details for 37 Strand	92
EPMS Series - Power Pack Technical Details	94
SJM Series - Hydraulic Adaptors	95
HS Series - Hoses	96

## What is the Post Tension System?

### Ard Germe (Post Tension) Nedir?

Betonun çekme yükü kapasitesinin artırılması için tasarlanmış özel bir imalat yöntemidir. Betonda olması istenen basınç kuvveti, beton içerisindeki galvaniz kaplı çelik boruların içerisinde geçirilen yüksek dayanımlı çelik halatların gerilmesi ve o halde kilitlemesi ile elde edilir. Ard germe işleminde halatları germe işlemi, beton dökülmeden önce değil, sonra yapılmaktadır. Bu haliyle diğer ön germeli sistemlerden farklılık arz etmektedir.

### What is the Post Tension System?

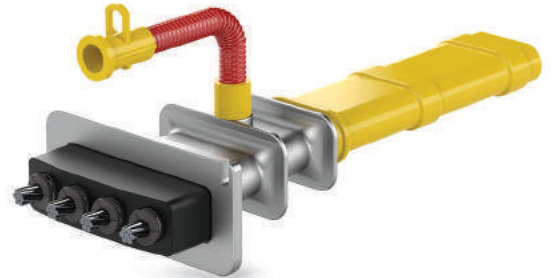
The post tension system is a special construction method designed to increase the tensile strength of concrete. The pressure that is required in concrete is obtained by tensing the prestressed concrete strands that are passed through galvanized corrugated ducts inside the concrete and locking them together in that tensed state. In the application of the post tensioning system, tensing process of the prestressed concrete strands is carried out after the concrete has been applied, not before. In this way, it differs from other prestressed systems.

### Ard Germe Uygulaması Nasıl Yapılır?

Projeye uygun olarak hazırlanmış donatının içerisine, önceden belirlenen sayıda ve boylarda çoğunlukla galvaniz kaplı çelik borular (koruyucu kılıf) yerleştirilir. Daha sonra beton dökülür ve ön gerilmeli beton demetleri (çelik halatlar) bu kılıf borularına sürülür. Proje de hesaplanmış olan betona yüklenecek basınç değeri, hidrolik germe krikoları sayesinde betona aktarılır. Bu aktarma sırasında çelik halatların gerilme yüküne karşı verdiği tepkimeler (uzamalar) not edilir ve proje değerleri ile karşılaştırılır. Germe (yükleme) işlemi tamamlandıktan sonra kılıf borularının içerisine grout enjeksiyonu yapılır.

### How is the Post Tension System Applied?

Firstly, a number of galvanized corrugated ducts in various predetermined sizes (which serve as a type of conduit) are placed inside the steel reinforcement which is prepared in accordance to the Project. Next, the concrete is applied and the prestressed concrete strands are then passed through the galvanized corrugated ducts in the concrete. Necessary precalculated pressure value according to the requirements of the particular Project is loaded to the concrete until determined values with usage of hydraulic stressing jacks. After the post tension operation has been carried out, the reaction (extension) values of the prestressed concrete strands in tensing process is observed, noted and compared with the original values that are required for the Project. Once the post tension operation was completed, grout is injected into the galvanized corrugated ducts.



## Ard Germe Sisteminin Avantajları Nelerdir?

Ard germe yöntemi ile imal edilen yapıların imalat süreleri, diğer metotlara göre daha kısadır. Gerek, köprülerde gerekse bina, otel, depo, silo ve benzeri üst yapılarda ara açıklıklar klasik yöntemlere göre daha fazladır. Ard germe uygulamalarında beton ve donatı miktarları azalır, yapı hafifler ve çok daha ekonomik hale gelir. Bu hafifleme aynı zamanda yapının depremsellik davranışlarını olumlu yönde etkiler.

## What are the Advantages of the Post Tension System?

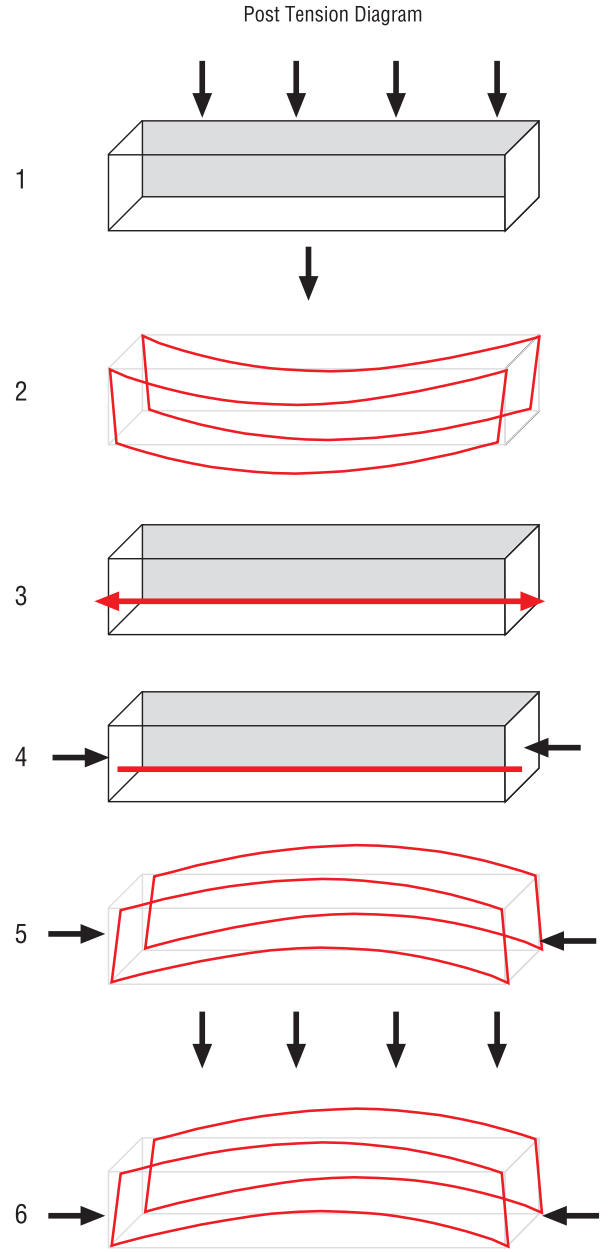
The construction time for structures being built while using the post tension method is shorter than any other construction method. Whether in the construction of bridges, apartment buildings, hotels, storage depots or any other similar superstructures, with the post tension system, the gaps between the concrete bundles can be wider compared to classic methods of construction. In other words, when using the post tension method, the required amounts of concrete and the steel reinforcement are less, which makes the entire structure lighter and more cost-effective to build. It is also a fact that lighter buildings are more durable against earthquakes and can withstand them more effectively.

## Ard Germe Uygulaması Ne Tür Yapılarda Uygulanabilir?

Köprüler, Yüksek Katlı Binalar, Oteller, Silolar, Endüstriyel Depolar ve Çalışma Alanları ile Havuz, Su Deposu, Kimyasal Depo Tankları gibi geniş alanların ve geçirimsizliğin önemli olduğu tüm yapılarda kullanımı mümkündür.

## What Kinds of Structures Can the Post Tension System Be Used In?

The post tension method can be used in the construction of bridges, high-rise buildings, large hotels, silos, industrial storage facilities and business centers, as well as when building swimming pools, water storage depots, chemical storage tanks and other such facilities situated in large areas where wide gap and impermeability are essential and very important.



## Ön Gerilmeli Beton Demeti Prestressed Concrete Strand

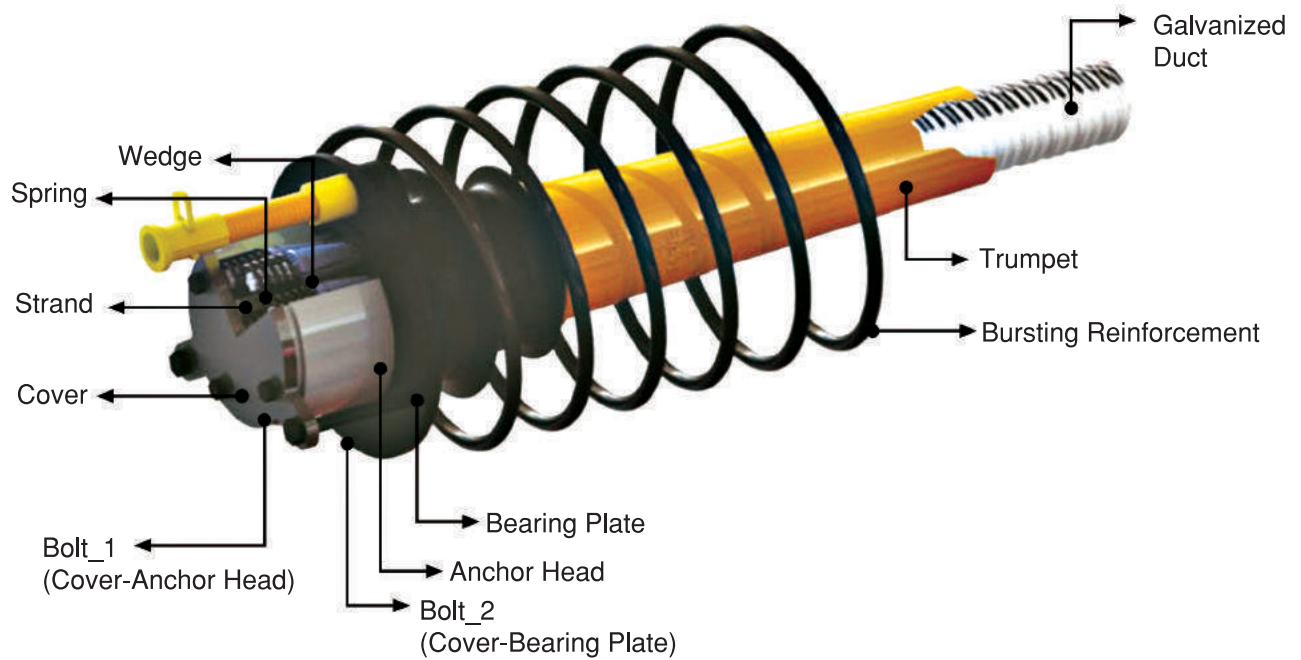
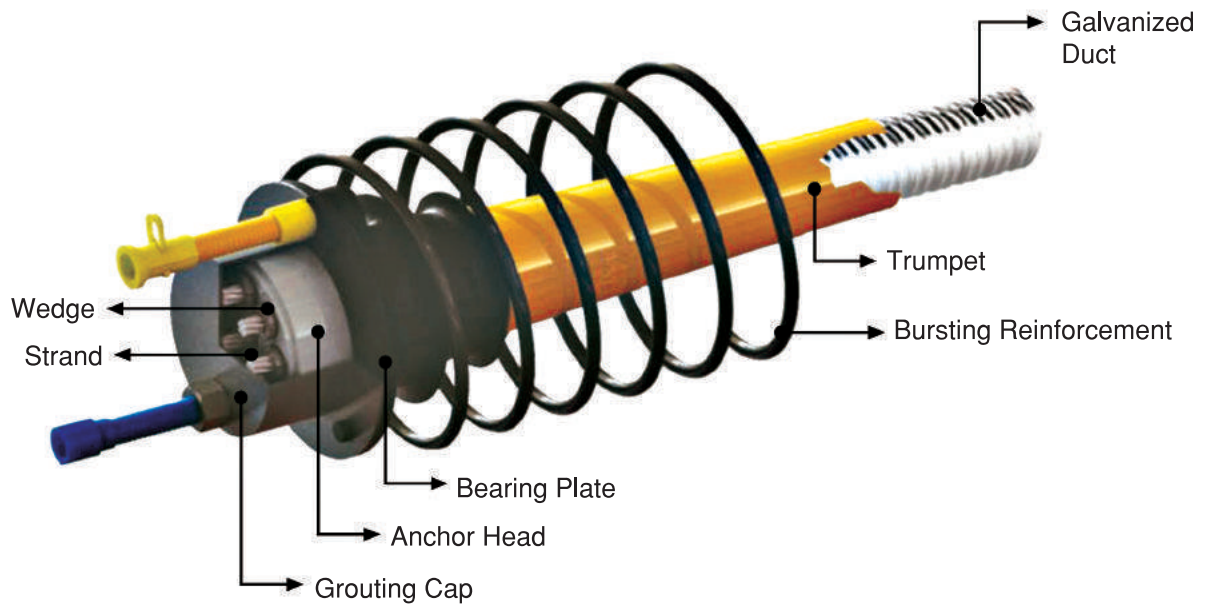


Çap Diameter		Kopma Mukavemeti Breaking Strength		Kesit Alanı Area of Strand		Birim Ağırlığı Weight Strand		Uzama Elongation Min.	%1 Uzamadaki Min. Yükü Min. Load at 1% Extension		%70 Önyükte 1000 Saat Sonunda Maks. Gevşeme Miktarı Relaxation Loss Max. at 70% of Breaking Load at 1000 Hours
mm	inc	kN	lbf	mm <sup>2</sup>	in <sup>2</sup>	kg 1000 m	lb 1000 m	%	kN	lbf	%
<b>Sınıf / Class 1725 (250)</b>											
9.50	0.375	890	20000	51.6	0.080	405	272	3.5	80.1	18000	2.5
11.10	0.438	120.1	27000	69.7	0.108	548	367	3.5	108.1	24300	2.5
12.70	0.500	160.1	36000	92.0	0.144	730	490	3.5	144.1	32400	2.5
15.20	0.600	240.2	54000	139.4	0.216	1094	737	2.5	216.1	48600	2.5
<b>Sınıf / Class 1860 (270)</b>											
9.53	9.53	102.3	23000	54.8	0.085	432	290	3.5	92.1	20700	2.5
11.11	11.11	137.9	31000	74.2	0.115	582	390	3.5	124.0	27900	2.5
12.70	12.70	183.7	41300	98.7	0.153	775	520	3.5	165.3	37170	2.5
14.29	14.29	230.0	51700	123.9	0.192	970	651	3.5	207.0	46530	2.5
15.24	15.24	260.7	58600	140.0	0.217	1102	740	3.5	234.6	52740	2.5
15.75	15.75	277.4	62370	149.2	0.231	1173	778	3.5	249.7	56133	2.5
17.78	15.78	353.2	79400	189.7	0.294	1487	1000	3.5	318.0	71500	2.5



**GLOBAL**  
High quality Turkish brand





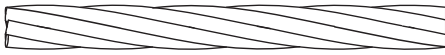


Starco®

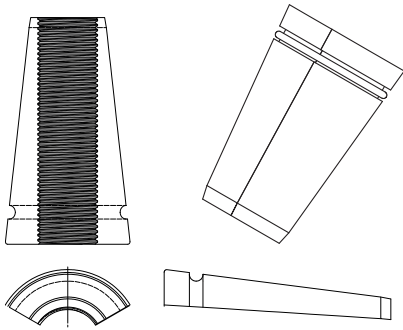


GLOBAL  
highest quality Turkish brand

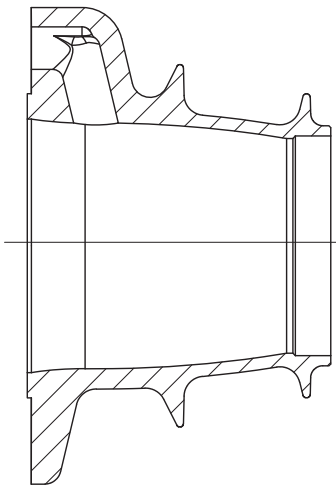
Strand



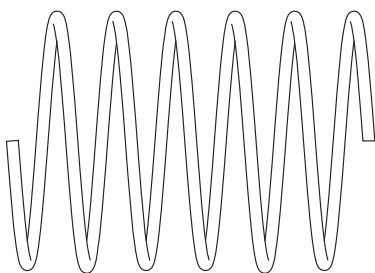
Wedge



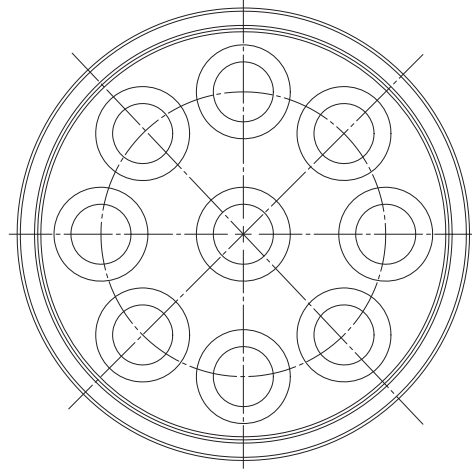
Bearing Plate



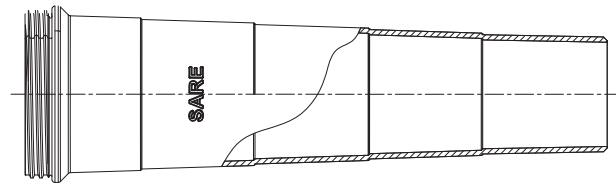
Bursting Reinforcement



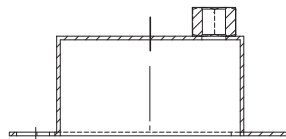
Anchor Head



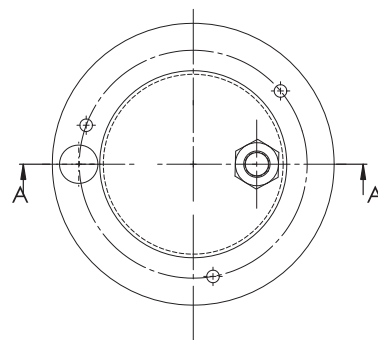
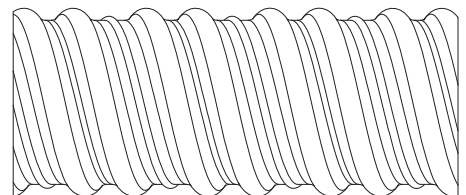
Trumpet



Grouting Cap

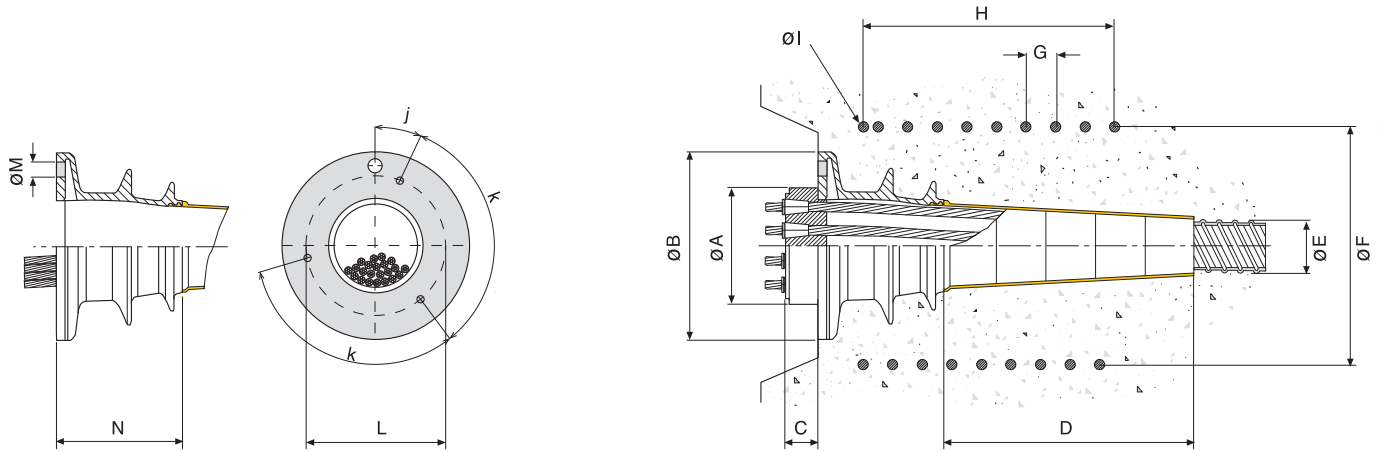


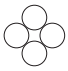




Galvanized Duct





# AG Series - Technical Details

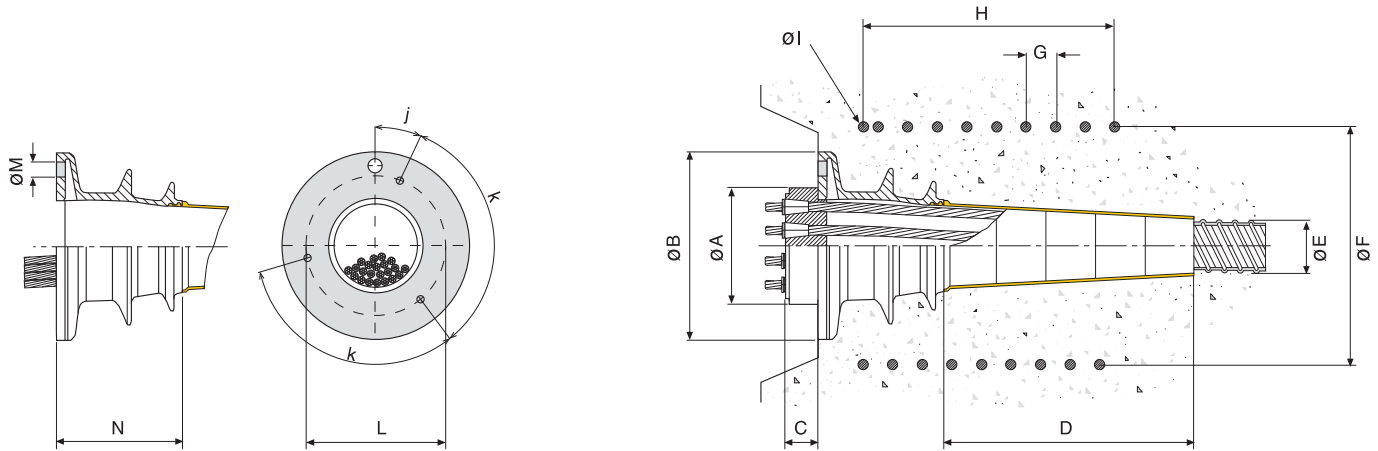


Model No		AG 4	AG 7	AG 9	AG 12	AG 15
Number of Strands		4	7	9	12	15
Strands Arrangement						
Min. Concrete Strength in MPa	$f_{cm,0}$	40	40	40	40	40
<b>ANCHOR HEAD</b>						
A	Ø (mm)	Ø 105	Ø 123	Ø 146	Ø 157	Ø 175
B	Ø (mm)	Ø 182	Ø 200	Ø 235	Ø 260	Ø 290
C	mm	48	49	49	58	62
<b>TRUMPET</b>						
D	mm	308	334	372	386	403
<b>GALVANIZED DUCT</b>						
E	Ø (mm)	Ø 50	Ø 60	Ø 75	Ø 85	Ø 95
Internal Dia.	Ø (mm)	Ø 45	Ø 55	Ø 70	Ø 80	Ø 90
<b>HELIX</b>						
F	Ø (mm)	Ø 170	Ø 220	Ø 250	Ø 310	Ø 350
G	mm	50	60	60	60	65
H	mm	300	360	360	420	455
I	Ø (mm)	Ø 10	Ø 12	Ø 12	Ø 14	Ø 14
<b>BEARING PLATE</b>						
J	Ø (mm)	90°	30°	20°	20°	20°
K	Ø (mm)	180°	120°	120°	120°	120°
L	mm	Ø 124	Ø 145	Ø 190	Ø 203	Ø 235
M	mm	G 3/4"	G 3/4"	G 3/4"	G 3/4"	G 3/4"
N	Ø (mm)	115	133	164	170	194

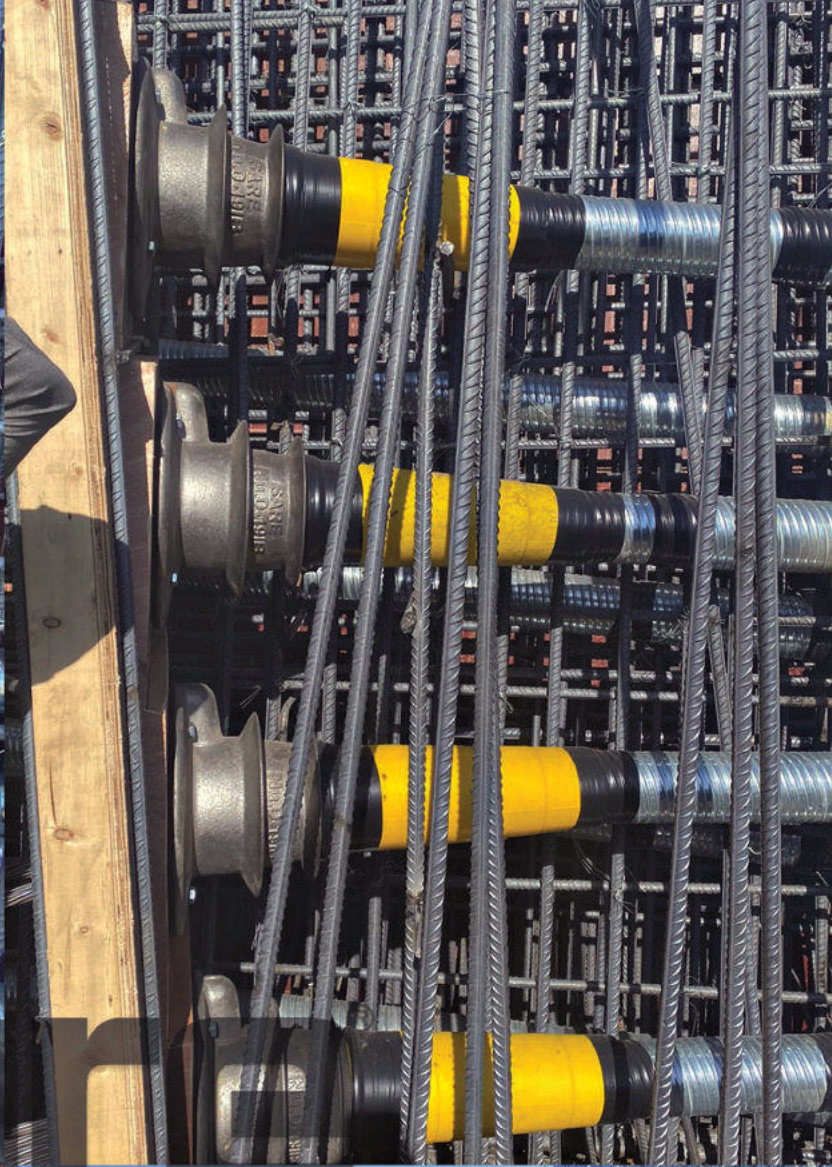
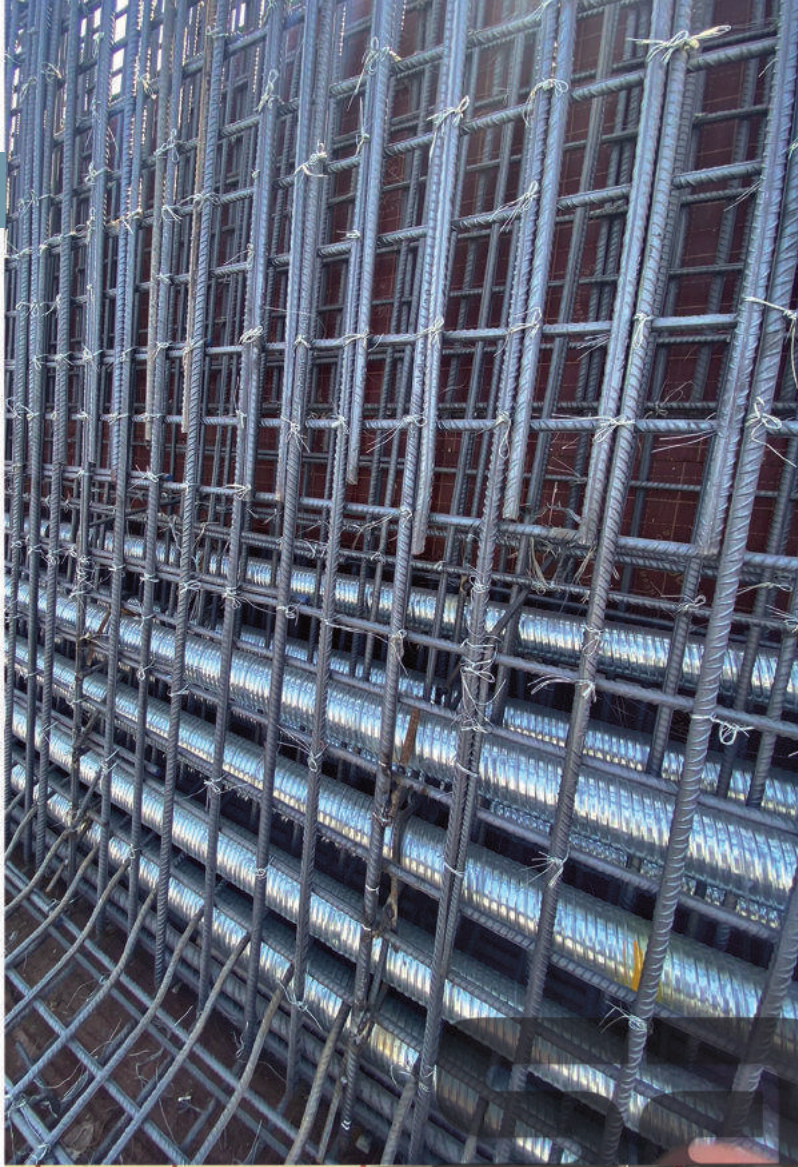


**GLOBAL**  
Türkçe  
Türkçe

# AG Series - Technical Details



Model No		AG 19	AG 22	AG 27	AG 31
Number of Strands		19	22	27	31
Strands Arrangement					
Min. Concrete Strength in MPa	$f_{cm,0}$	40	40	40	40
<b>ANCHOR HEAD</b>					
A	Ø (mm)	Ø 197	Ø 227	Ø 250	Ø 266
B	Ø (mm)	Ø 324	Ø 351	Ø 378	Ø 401
C	mm	67	73	86	96
<b>TRUMPET</b>					
D	mm	431	414	472	617
<b>GALVANIZED DUCT</b>					
E	Ø (mm)	Ø 100	Ø 115	Ø 120	Ø 125
Internal Dia.	Ø (mm)	Ø 95	Ø 110	Ø 115	Ø 120
<b>HELIX</b>					
F	Ø (mm)	Ø 400	Ø 430	Ø 470	Ø 640
G	mm	70	70	80	80
H	mm	490	560	640	640
I	Ø (mm)	Ø 16	Ø 16	Ø 20	Ø 20
<b>BEARING PLATE</b>					
J	Ø (mm)	20°	20°	15°	15°
K	Ø (mm)	120°	120°	120°	120°
L	mm	Ø 235	Ø 290	Ø 325	Ø 350
M	mm	G 3/4"	G 1"	G 1"	G 1"
N	Ø (mm)	207	246	263	280



**GLOBAL**  
High quality Turkish brand



## AG Series - Order Numbers

Group Model No.	Product Description		Order Number
AG-4	4 Strand 1140 kN Active Type Post Tension Set		AG.60-04.01
	AH-4A	Anchor Head	AH.60-04.01
	Nu.D-4IB	Iron Block	IB.6062-04.01
	Nu.D-4T	Trumpet	T.05662-04.01
	Nu.D-06W	Wedges	PTW.06-00
AG-7	7 Strand 1995 kN Active Type Post Tension Set		AG.60-07.01
	AH-7A	Anchor Head	AH.60-07.01
	Nu.D-7IB	Iron Block	IB.6062-07.01
	Nu.D-7T	Trumpet	T.05662-07.01
	Nu.D-06W	Wedges	PTW.06-00
AG-9	9 Strand 2565 kN Active Type Post Tension Set		AG.60-09.01
	AH-9A	Anchor Head	AH.60-09.01
	Nu.D-9IB	Iron Block	IB.6062-09.01
	Nu.D-9T	Trumpet	T.05662-09.01
	Nu.D-06W	Wedges	PTW.06-00
AG-12	12 Strand 3420 kN Active Type Post Tension Set		AG.60-12.01
	AH-12A	Anchor Head	AH.60-12.01
	Nu.D-12IB	Iron Block	IB.6062-12.01
	Nu.D-12T	Trumpet	T.05662-12.01
	Nu.D-06W	Wedges	PTW.06-00
AG-15	15 Strand 4275 kN Active Type Post Tension Set		AG.60-15.01
	AH-15A	Anchor Head	AH.60-15.01
	Nu.D-15IB	Iron Block	IB.6062-15.01
	Nu.D-15T	Trumpet	T.05662-15.01
	Nu.D-06W	Wedges	PTW.06-00



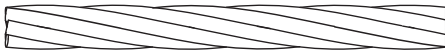
## AG Series - Order Numbers

Group Model No.	Product Description		Order Number
AG-19	19 Strand 5415 kN Active Type Post Tension Set		AG.60-19.01
	AH-19A	Anchor Head	AH.60-19.01
	Nu.D-19IB	Iron Block	IB.6062-19.01
	Nu.D-19T	Trumpet	T.05662-19.01
	Nu.D-06W	Wedges	PTW.06-00
AG-22	22 Strand 6270 kN Active Type Post Tension Set		AG.60-22.01
	AH-22A	Anchor Head	AH.60-22.01
	Nu.D-22IB	Iron Block	IB.6062-22.01
	Nu.D-22T	Trumpet	T.05662-22.01
	Nu.D-06W	Wedges	PTW.06-00
AG-27	27 Strand 7695 kN Active Type Post Tension Set		AG.60-27.01
	AH-27A	Anchor Head	AH.60-27.01
	Nu.D-27IB	Iron Block	IB.6062-27.01
	Nu.D-27T	Trumpet	T.05662-27.01
	Nu.D-06W	Wedges	PTW.06-00
AG-31	31 Strand 8835 kN Active Type Post Tension Set		AG.60-31.01
	AH-31A	Anchor Head	AH.60-31.01
	Nu.D-31IB	Iron Block	IB.6062-31.01
	Nu.D-31T	Trumpet	T.05662-31.01
	Nu.D-06W	Wedges	PTW.06-00

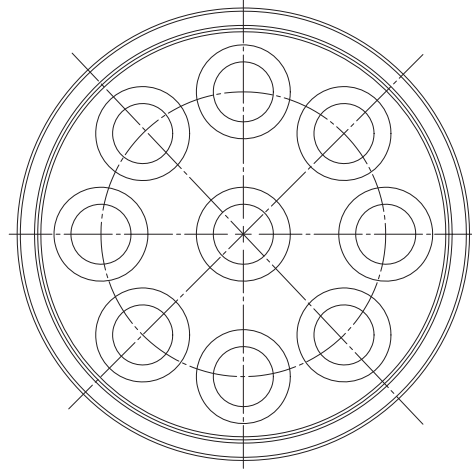


Prestressing

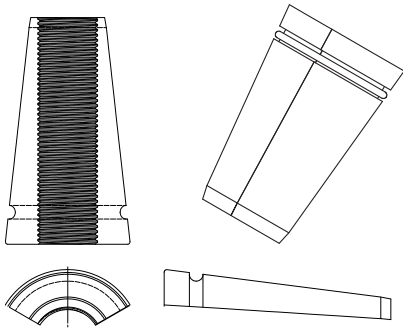
Strand



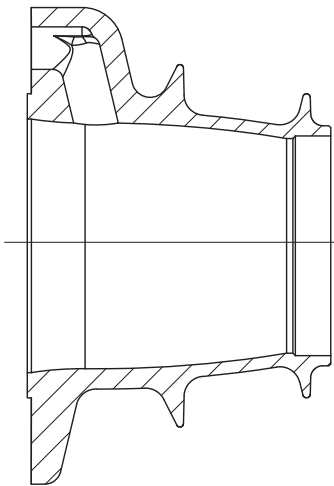
Anchor Head



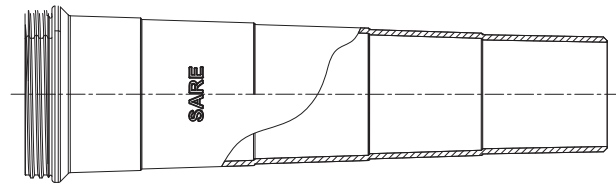
Wedge



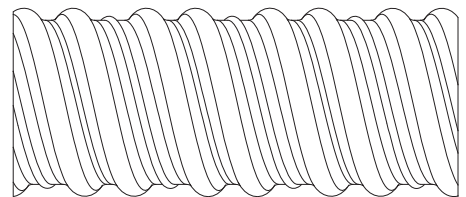
Bearing Plate



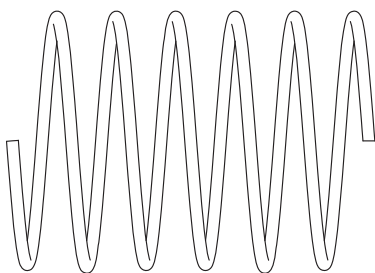
Trumpet



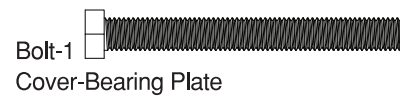
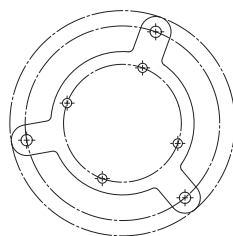
Galvanized Duct

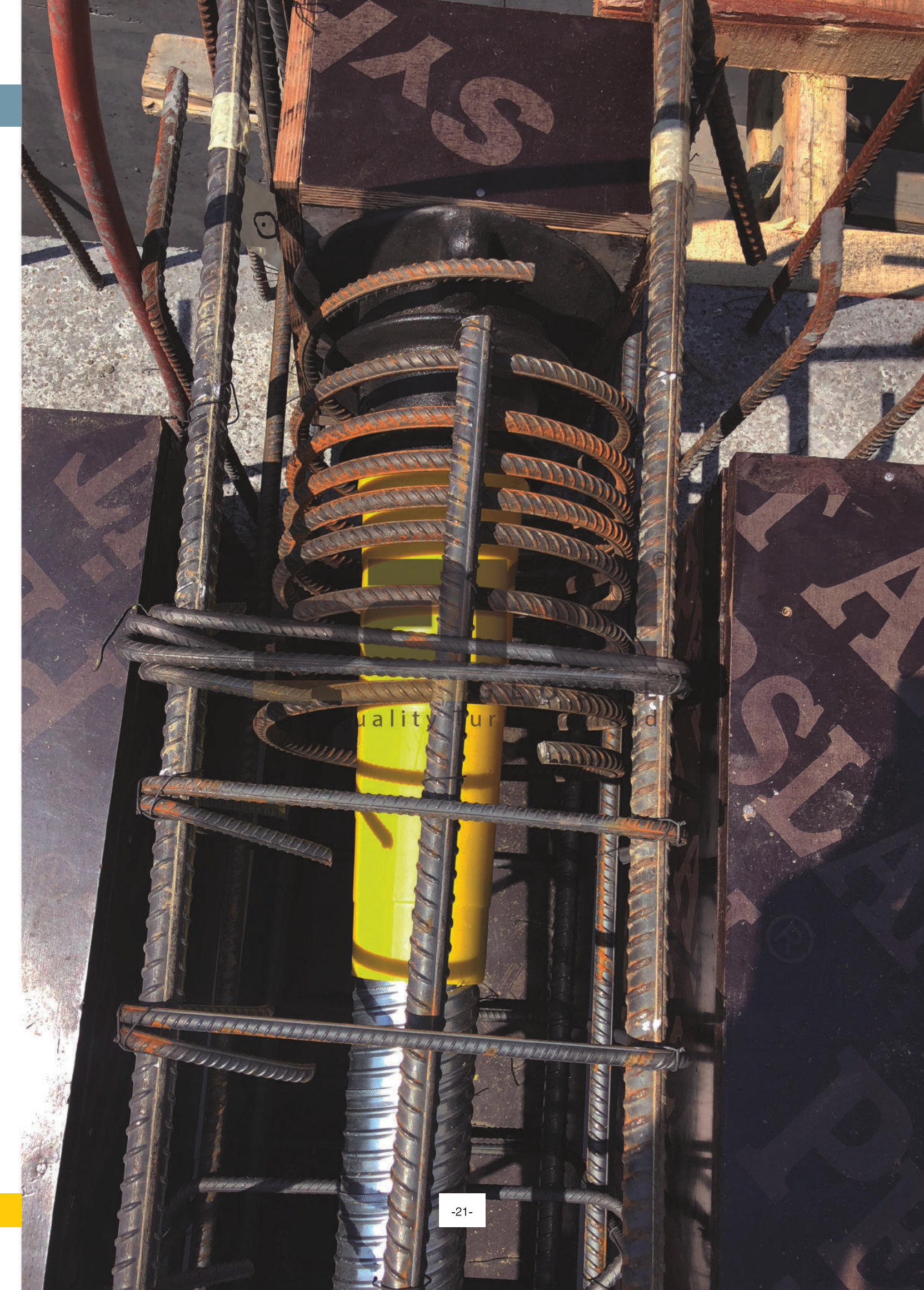


Bursting Reinforcement

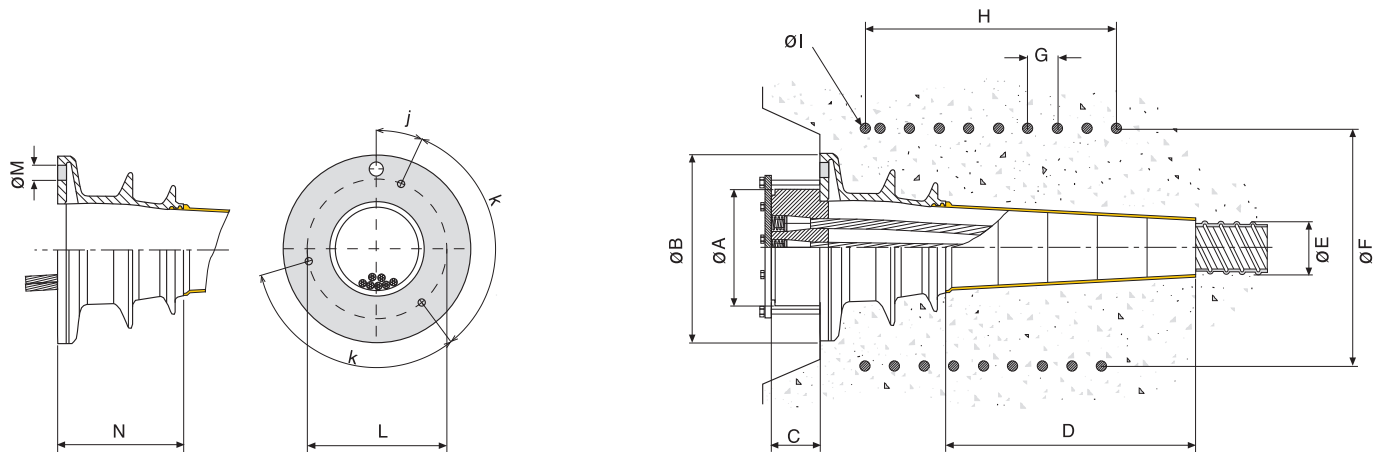


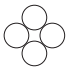




Cover

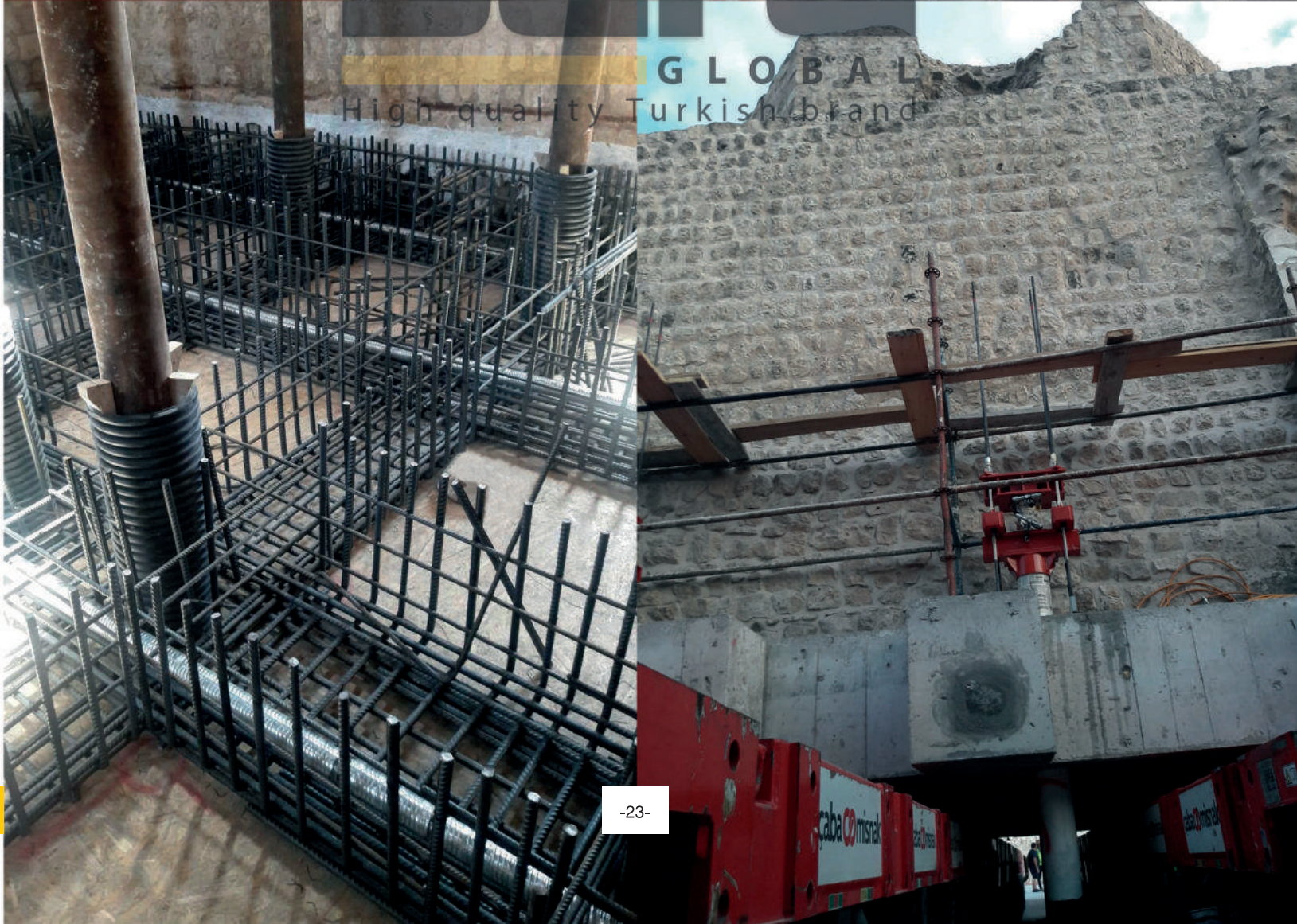




# PG Series - Technical Details



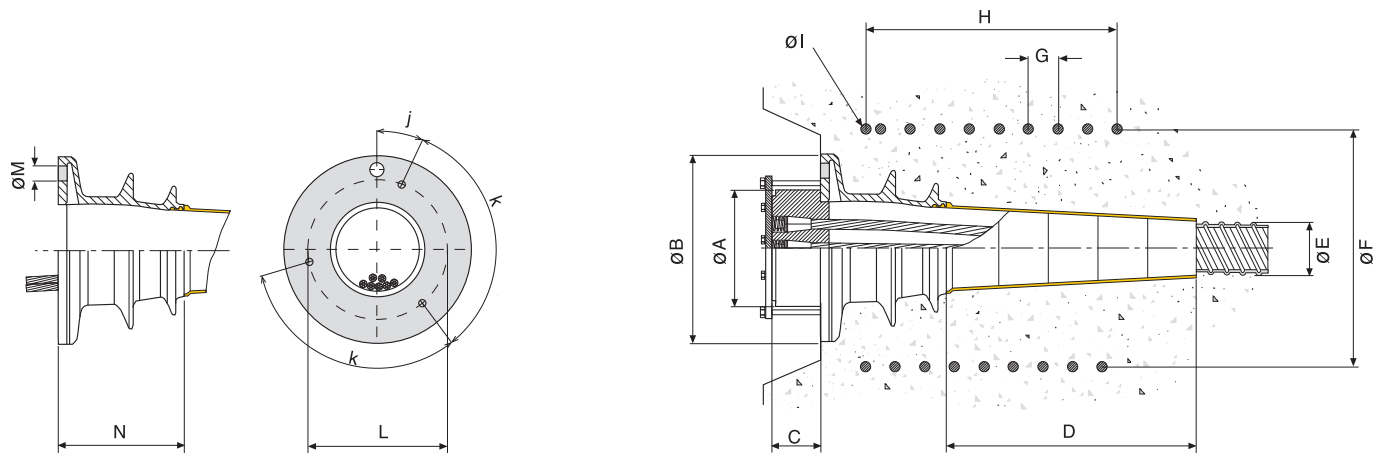
Model No		PG 4	PG 7	PG 9	PG 12	PG 15
Number of Strands		4	7	9	12	15
Strands Arrangement						
Min. Concrete Strength in MPa	$f_{cm,0}$	40	40	40	40	40
<b>ANCHOR HEAD</b>						
A	Ø (mm)	Ø 105	Ø 123	Ø 146	Ø 157	Ø 175
B	Ø (mm)	Ø 182	Ø 200	Ø 235	Ø 260	Ø 290
C	mm	80	80	80	80	80
<b>TRUMPET</b>						
D	mm	308	334	372	386	403
<b>GALVANIZED DUCT</b>						
E	Ø (mm)	Ø 50	Ø 60	Ø 75	Ø 85	Ø 95
Internal Dia.	Ø (mm)	Ø 45	Ø 55	Ø 70	Ø 80	Ø 90
<b>HELIX</b>						
F	Ø (mm)	Ø 170	Ø 220	Ø 250	Ø 310	Ø 350
G	mm	50	60	60	60	65
H	mm	300	360	360	420	455
I	Ø (mm)	Ø 10	Ø 12	Ø 12	Ø 14	Ø 14
<b>BEARING PLATE</b>						
J	Ø (mm)	90°	30°	20°	20°	20°
K	Ø (mm)	180°	120°	120°	120°	120°
L	mm	Ø 124	Ø 145	Ø 190	Ø 203	Ø 235
M	mm	G 3/4"	G 3/4"	G 3/4"	G 3/4"	G 3/4"
N	Ø (mm)	115	133	164	170	194



GLOBAL  
High quality Turkish brand



# PG Series - Technical Details




Model No		PG 19	PG 22	PG 27	PG 31
Number of Strands		19	22	27	31
Strands Arrangement					
Min. Concrete Strength in MPa	$f_{cm,0}$	40	40	40	40
<b>ANCHOR HEAD</b>					
A	Ø (mm)	Ø 197	Ø 227	Ø 250	Ø 266
B	Ø (mm)	Ø 324	Ø 351	Ø 378	Ø 401
C	mm	91	96	105	114
<b>TRUMPET</b>					
D	mm	431	414	472	617
<b>GALVANIZED DUCT</b>					
E	Ø (mm)	Ø 100	Ø 115	Ø 120	Ø 125
Internal Dia.	Ø (mm)	Ø 95	Ø 110	Ø 115	Ø 120
<b>HELIX</b>					
F	Ø (mm)	Ø 400	Ø 430	Ø 470	Ø 640
G	mm	70	70	80	80
H	mm	490	560	640	640
I	Ø (mm)	Ø 16	Ø 16	Ø 20	Ø 20
<b>BEARING PLATE</b>					
J	Ø (mm)	20°	20°	15°	15°
K	Ø (mm)	120°	120°	120°	120°
L	mm	Ø 235	Ø 290	Ø 325	Ø 350
M	mm	G 3/4"	G 1"	G 1"	G 1"
N	Ø (mm)	207	246	263	280





Hi O B  
Brand

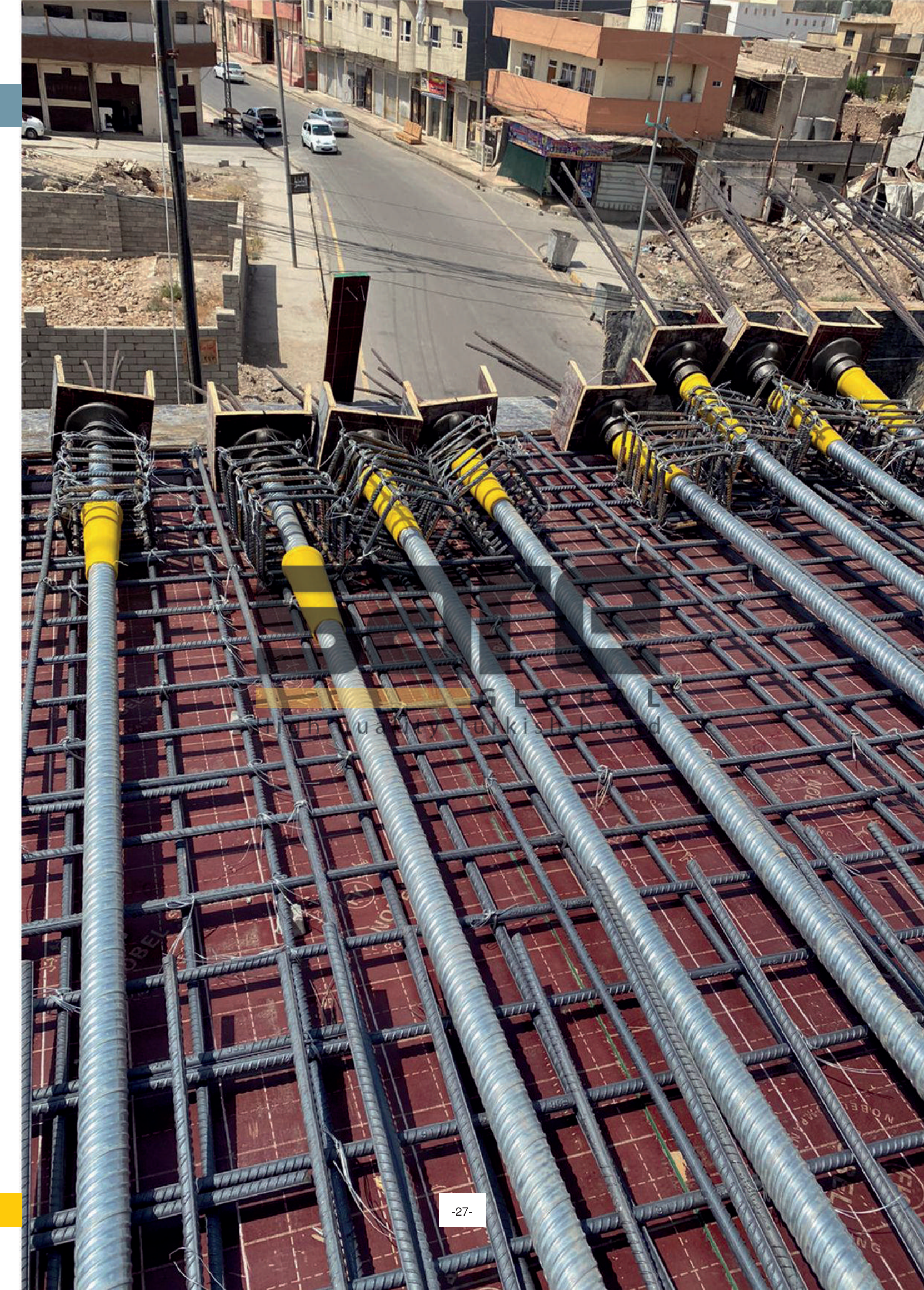
## PG Series - Order Numbers

Group Model No.                      Product Description                      Order Number

Group Model No.	Product Description		Order Number
PG-4	4 Strand 1140 kN Passive Type Post Tension Set		AG.60-04.00
	AH-4P	Passive Anchor Head	AH.60-04.00
	SPR06	Spring	SPR.6062.00
	C.AH4	Cover Anchor Head	C.6062-04.00
	LB-4	Anchor bold	LB-6062-04.00
	BB-4	Iron Block bold	BB-6062-04.00
	Nu.D-4IB	Iron Block	IB.6062-04.01
	Nu.D-4T	Trumpet	T.05662-04.01
	Nu.D-06W	Wedges	PTW.06-00


Group Model No.	Product Description		Order Number
PG-7	7 Strand 1995 kN Passive Type Post Tension Set		PG.60-07.00
	AH-7P	Passive Anchor Head	AH.60-07.00
	SPR06	Spring	SPR.6062.00
	C.AH7	Cover Anchor Head	C.6062-07.00
	LB-7	Anchor bold	LB-6062-07.00
	BB-7	Iron Block bold	BB-6062-07.00
	Nu.D-7IB	Iron Block	IB.6062-07.01
	Nu.D-7T	Trumpet	T.05662-07.01
	Nu.D-06W	Wedges	PTW.06-00


Group Model No.	Product Description		Order Number
PG-9	9 Strand 2565 kN Passive Type Post Tension Set		AG.60-09.00
	AH-9P	Passive Anchor Head	AH.60-09.00
	SPR06	Spring	SPR.6062.00
	C.AH9	Cover Anchor Head	C.6062-09.00
	LB-9	Anchor bold	LB-6062-09.00
	BB-9	Iron Block bold	BB-6062-09.00
	Nu.D-9IB	Iron Block	IB.6062-09.01
	Nu.D-9T	Trumpet	T.05662-09.01
	Nu.D-06W	Wedges	PTW.06-00




## PG Series - Order Numbers

Group Model No.                      Product Description                      Order Number

Group Model No.	Product Description		Order Number
PG-12	12 Strand 3420 kN Passive Type Post Tension Set		AG.60-12.00
	AH-12P	Passive Anchor Head	AH.60-12.00
	SPR06	Spring	SPR.6062.00
	C.AH12	Cover Anchor Head	C.6062-12.00
	LB-12	Anchor bold	LB-6062-12.00
	BB-12	Iron Block bold	BB-6062-12.00
	Nu.D-12IB	Iron Block	IB.6062-12.01
	Nu.D-12T	Trumpet	T.05662-12.01
	Nu.D-06W	Wedges	PTW.06-00

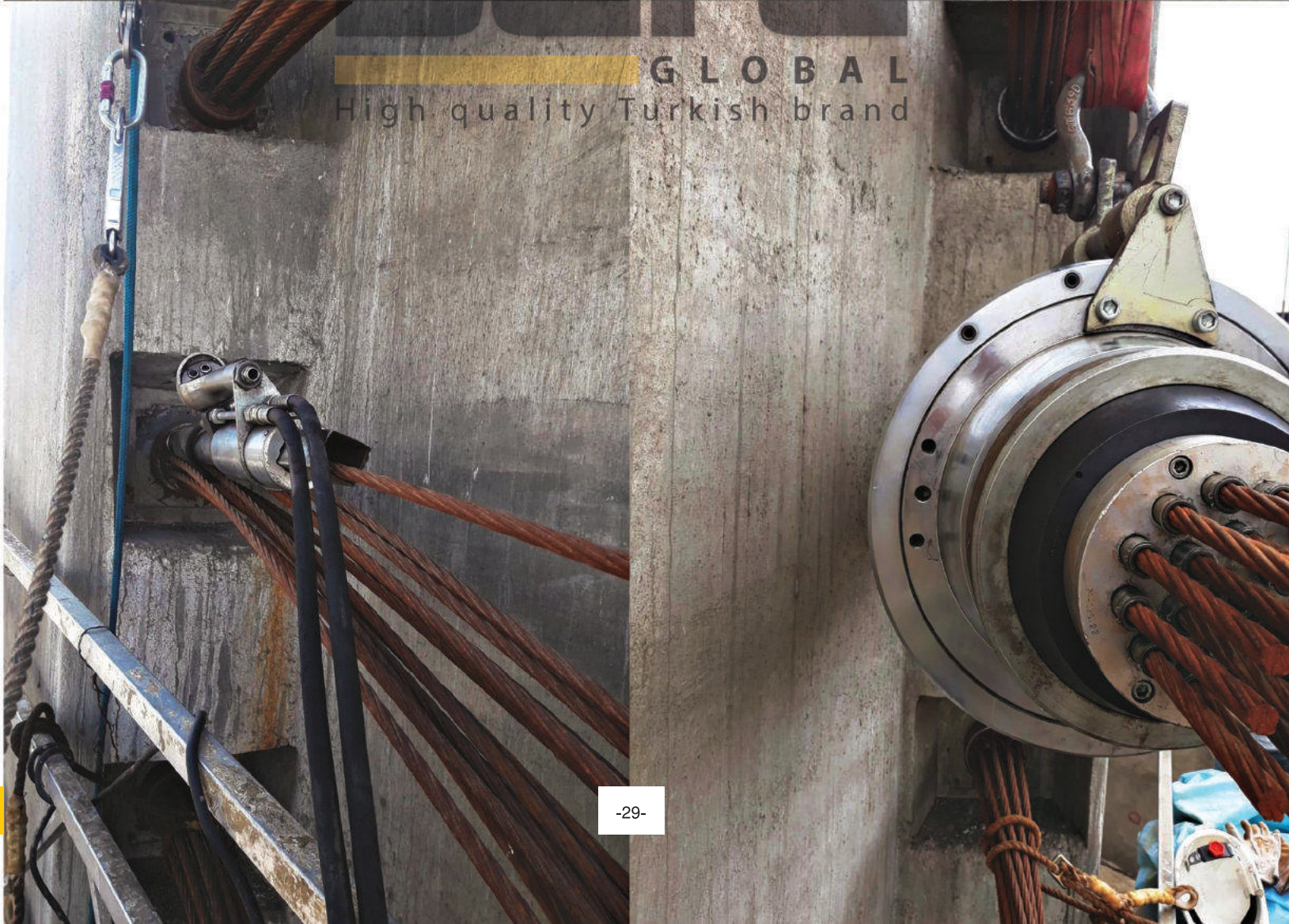
Group Model No.	Product Description		Order Number
PG-15	15 Strand 4275 kN Passive Type Post Tension Set		PG.60-15.00
	AH-15P	Passive Anchor Head	AH.60-15.00
	SPR06	Spring	SPR.6062.00
	C.AH15	Cover Anchor Head	C.6062-15.00
	LB-15	Anchor bold	LB-6062-15.00
	BB-15	Iron Block bold	BB-6062-15.00
	Nu.D-15IB	Iron Block	IB.6062-15.01
	Nu.D-15T	Trumpet	T.05662-15.01
	Nu.D-06W	Wedges	PTW.06-00

Group Model No.	Product Description		Order Number
PG-19	19 Strand 5415 kN Passive Type Post Tension Set		AG.60-19.00
	AH-19P	Passive Anchor Head	AH.60-19.00
	SPR06	Spring	SPR.6062.00
	C.AH19	Cover Anchor Head	C.6062-19.00
	LB-19	Anchor bold	LB-6062-19.00
	BB-19	Iron Block bold	BB-6062-19.00
	Nu.D-19IB	Iron Block	IB.6062-19.01
	Nu.D-19T	Trumpet	T.05662-19.01
	Nu.D-06W	Wedges	PTW.06-00




**esire**<sup>®</sup>


**GLOBAL**  
High quality Turkish brand




## PG Series - Order Numbers

Group Model No.                      Product Description                      Order Number

Group Model No.	Product Description		Order Number
PG-22	22 Strand 6270 kN Passive Type Post Tension Set		AG.60-22.00
	AH-22P	Passive Anchor Head	AH.60-22.00
	SPR06	Spring	SPR.6062.00
	C.AH22	Cover Anchor Head	C.6062-22.00
	LB-22	Anchor bold	LB-6062-22.00
	BB-22	Iron Block bold	BB-6062-22.00
	Nu.D-22IB	Iron Block	IB.6062-22.01
	Nu.D-22T	Trumpet	T.05662-22.01
	Nu.D-06W	Wedges	PTW.06-00

Group Model No.	Product Description		Order Number
PG-27	27 Strand 7695 kN Passive Type Post Tension Set		PG.60-27.00
	AH-27P	Passive Anchor Head	AH.60-27.00
	SPR06	Spring	SPR.6062.00
	C.AH27	Cover Anchor Head	C.6062-27.00
	LB-27	Anchor bold	LB-6062-27.00
	BB-27	Iron Block bold	BB-6062-27.00
	Nu.D-27IB	Iron Block	IB.6062-27.01
	Nu.D-27T	Trumpet	T.05662-27.01
	Nu.D-06W	Wedges	PTW.06-00

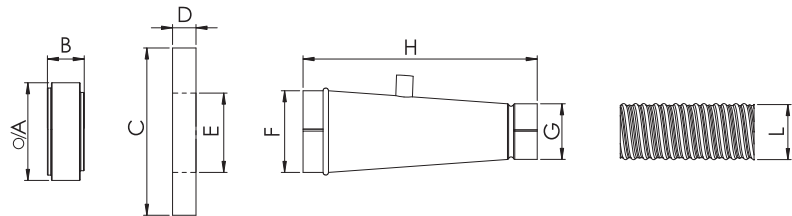
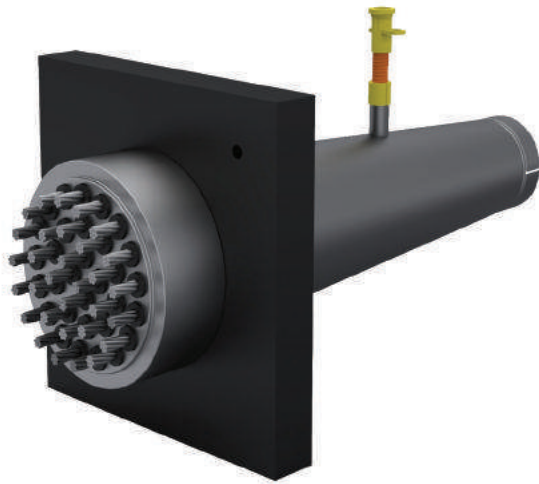
Group Model No.	Product Description		Order Number
PG-31	31 Strand 8835 kN Passive Type Post Tension Set		PG.60-31.00
	AH-31P	Passive Anchor Head	AH.60-31.00
	SPR06	Spring	SPR.6062.00
	C.AH31	Cover Anchor Head	C.6062-31.00
	LB-31	Anchor bold	LB-6062-31.00
	BB-31	Iron Block bold	BB-6062-31.00
	Nu.D-31IB	Iron Block	IB.6062-31.01
	Nu.D-31T	Trumpet	T.05662-31.01
	Nu.D-06W	Wedges	PTW.06-00








POST TENSIONING



## PTA Series (Plate Type) - Technical Details



Model No		PTA-3	PTA-4	PTA-5	PTA-6	PTA-7
Number of Strands		3	4	5	6	7
Strands Arrangement						
<b>ANCHOR HEAD</b>						
A	Ø (mm)	100	105	110	120	123
B	(mm)	50	53	55	55	55
<b>ANCHOR PLATE</b>						
C	(mm)	135 x 135	135 x 160	200 x 200	200 x 200	205 x 200
D	(mm)	15	25	25	30	30
E	Ø (mm)	80	85	90	100	100
<b>TRUMPET</b>						
F	Ø (mm)	80	85	90	100	100
G	Ø (mm)	58	58	68	68	68
H	mm	200	200	250	290	290
<b>GALVANIZED DUCT</b>						
L	Ø (mm)	50	50	60	60	60
Internal Dia.	Ø (mm)	45	45	55	55	55

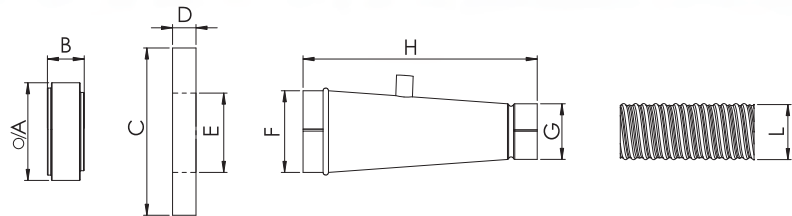


SAİG

High quality construction



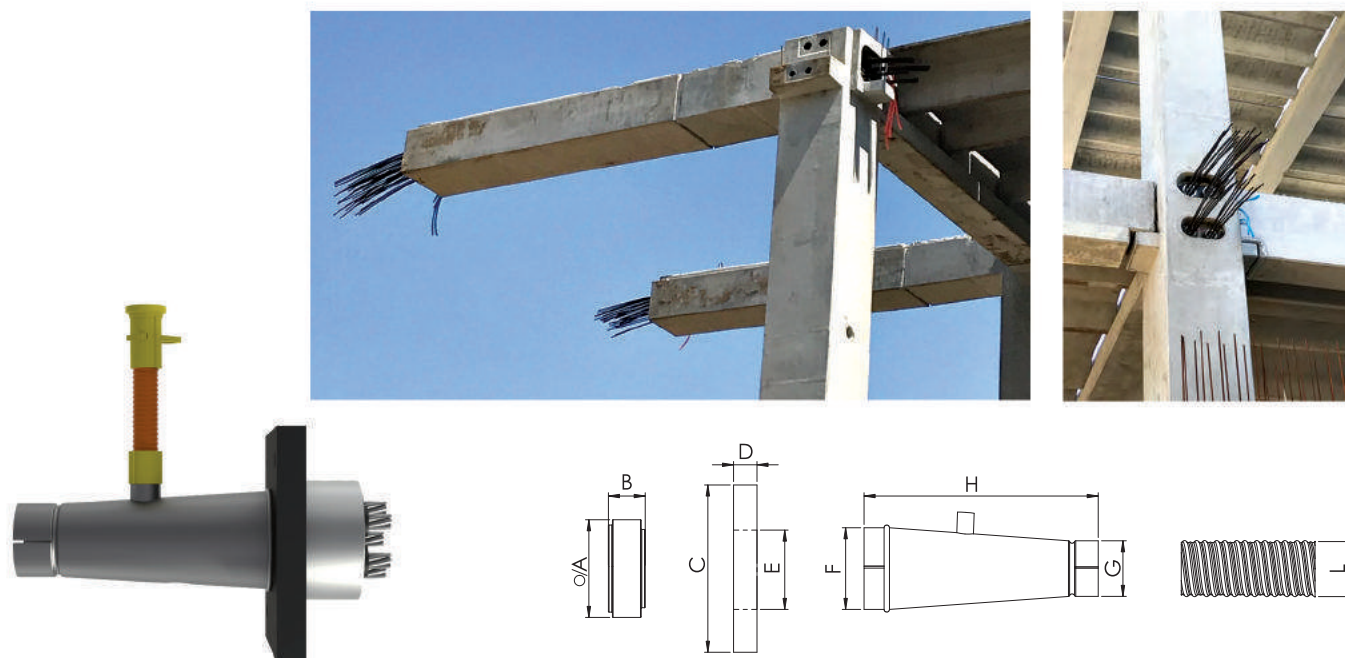
## PTA Series (Plate Type) - Technical Details



Model No		PTA-8	PTA-9	PTA-12	PTA-15	PTA-19
Number of Strands		8	9	12	15	19
Strands Arrangement						
<b>ANCHOR HEAD</b>						
A	Ø (mm)	146	146	157	176	197
B	(mm)	55	55	64	69	73
<b>ANCHOR PLATE</b>						
C	(mm)	250 x 250	250 x 250	270 x 270	300 x 300	340 x 340
D	(mm)	35	35	40	45	50
E	Ø (mm)	122	122	139	153	164
<b>TRUMPET</b>						
F	Ø (mm)	122	122	139	153	164
G	Ø (mm)	83	83	93	103	108
H	mm	350	350	450	450	600
<b>GALVANIZED DUCT</b>						
L	Ø (mm)	75	75	85	95	100
Internal Dia.	Ø (mm)	70	70	80	90	95



## PTA Series (Plate Type) - Technical Details



Model No		PTA-22	PTA-27	PTA-31	PTA-37
Number of Strands		22	27	31	37
Strands Arrangement					
<b>ANCHOR HEAD</b>					
A	Ø (mm)	227	250	266	292
B	(mm)	80	92	105	119
<b>ANCHOR PLATE</b>					
C	(mm)	370 x 370	400 x 400	435 x 435	480 x 480
D	(mm)	55	60	65	75
E	Ø (mm)	197	214	221	235
<b>TRUMPET</b>					
F	Ø (mm)	197	214	221	235
G	Ø (mm)	123	128	133	143
H	mm	650	700	700	830
<b>GALVANIZED DUCT</b>					
L	Ø (mm)	115	120	125	135
Internal Dia.	Ø (mm)	110	115	120	130



## PTA Series - Order Numbers

Group Model No.	Product Description		Order Number
<b>PTA-3</b>	3 Strand 855 kN Plate Type Post Tension Set		PTA.03.06062-00
	AH-3A	Anchor Head	AH.60-03.00
	AHP-3A	Anchor Plate	P60-03.00
	GT-3A	Metal Trumpet	GT.60-03.00
	Nu.D-06_0,62W	Wedge	PTW.06.062-00
<b>PTA-4</b>	4 Strand 1140 kN Plate Type Post Tension Set		PTA.04.06062-00
	AH-4A	Anchor Head	AH.60-04.00
	AHP-4A	Anchor Plate	P60-04.00
	GT-4A	Metal Trumpet	GT.60-04.00
	Nu.D-06_0,62W	Wedge	PTW.06.062-00
<b>PTA-5</b>	5 Strand 1425 kN Plate Type Post Tension Set		PTA.05.06062-00
	AH-5A	Anchor Head	AH.60-05.00
	AHP-5A	Anchor Plate	P60-05.00
	GT-5A	Metal Trumpet	GT.60-05.00
	Nu.D-06_0,62W	Wedge	PTW.06.062-00
<b>PTA-6</b>	6 Strand 1710 kN Plate Type Post Tension Set		PTA.06.06062-00
	AH-6A	Anchor Head	AH.60-06.00
	AHP-6A	Anchor Plate	P60-06.00
	GT-6A	Metal Trumpet	GT.60-06.00
	Nu.D-06_0,62W	Wedge	PTW.06.062-00
<b>PTA-7</b>	7 Strand 1995 kN Plate Type Post Tension Set		PTA.07.06062-00
	AH-7A	Anchor Head	AH.60-07.00
	AHP-7A	Anchor Plate	P60-07.00
	GT-7A	Metal Trumpet	GT.60-07.00
	Nu.D-06_0,62W	Wedge	PTW.06.062-00



# Sarec

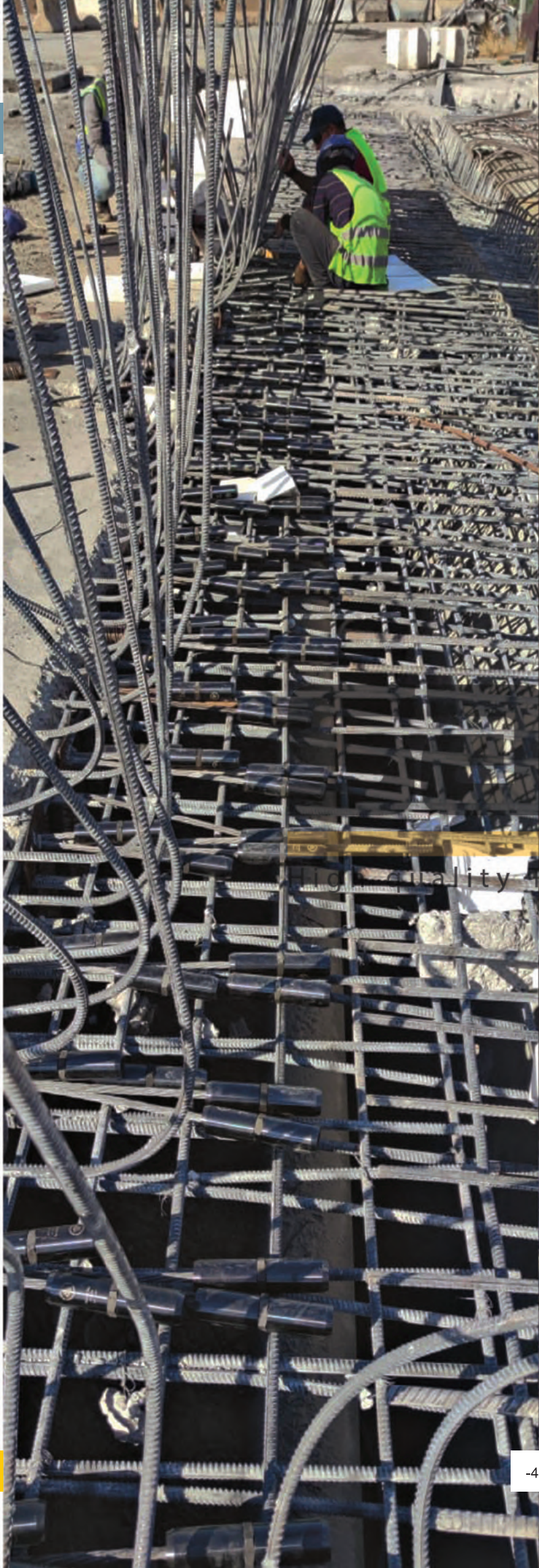
**GLOBAL**  
High quality Turkish brand





## PTA Series - Order Numbers

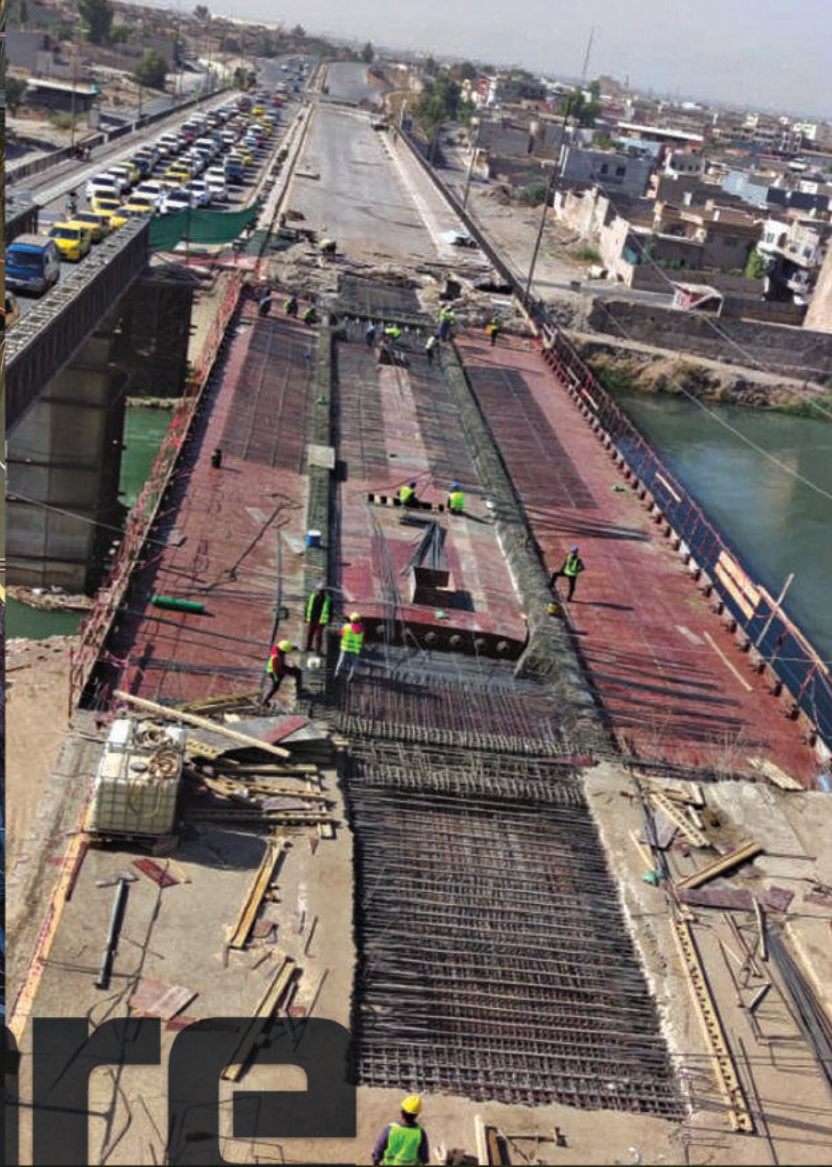
Group Model No.	Product Description		Order Number
<b>PTA-8</b>	8 Strand 2280 kN Plate Type Post Tension Set		PTA.08.06062-00
	AH-8A	Anchor Head	AH.60-08.00
	AHP-8A	Anchor Plate	P60-08.00
	GT-8A	Metal Trumpet	GT.60-08.00
	Nu.D-06_0,62W	Wedge	PTW.06.062-00
<b>PTA-9</b>	9 Strand 2565 kN Plate Type Post Tension Set		PTA.09.06062-00
	AH-9A	Anchor Head	AH.60-09.00
	AHP-9A	Anchor Plate	P60-09.00
	GT-9A	Metal Trumpet	GT.60-09.00
	Nu.D-06_0,62W	Wedge	PTW.06.062-00
<b>PTA-12</b>	12 Strand 3420 kN Plate Type Post Tension Set		PTA.12.06062-00
	AH-12A	Anchor Head	AH.60-12.00
	AHP-12A	Anchor Plate	P60-12.00
	GT-12A	Metal Trumpet	GT.60-12.00
	Nu.D-06_0,62W	Wedge	PTW.06.062-00
<b>PTA-15</b>	15 Strand 4275 kN Plate Type Post Tension Set		PTA.15.06062-00
	AH-15A	Anchor Head	AH.60-15.00
	AHP-15A	Anchor Plate	P60-15.00
	GT-15A	Metal Trumpet	GT.60-15.00
	Nu.D-06_0,62W	Wedge	PTW.06.062-00
<b>PTA-19</b>	19 Strand 5415 kN Plate Type Post Tension Set		PTA.019.06062-00
	AH-19A	Anchor Head	AH.60-19.00
	AHP-19A	Anchor Plate	P60-19.00
	GT-19A	Metal Trumpet	GT.60-19.00
	Nu.D-06_0,62W	Wedge	PTW.06.062-00



High quality work

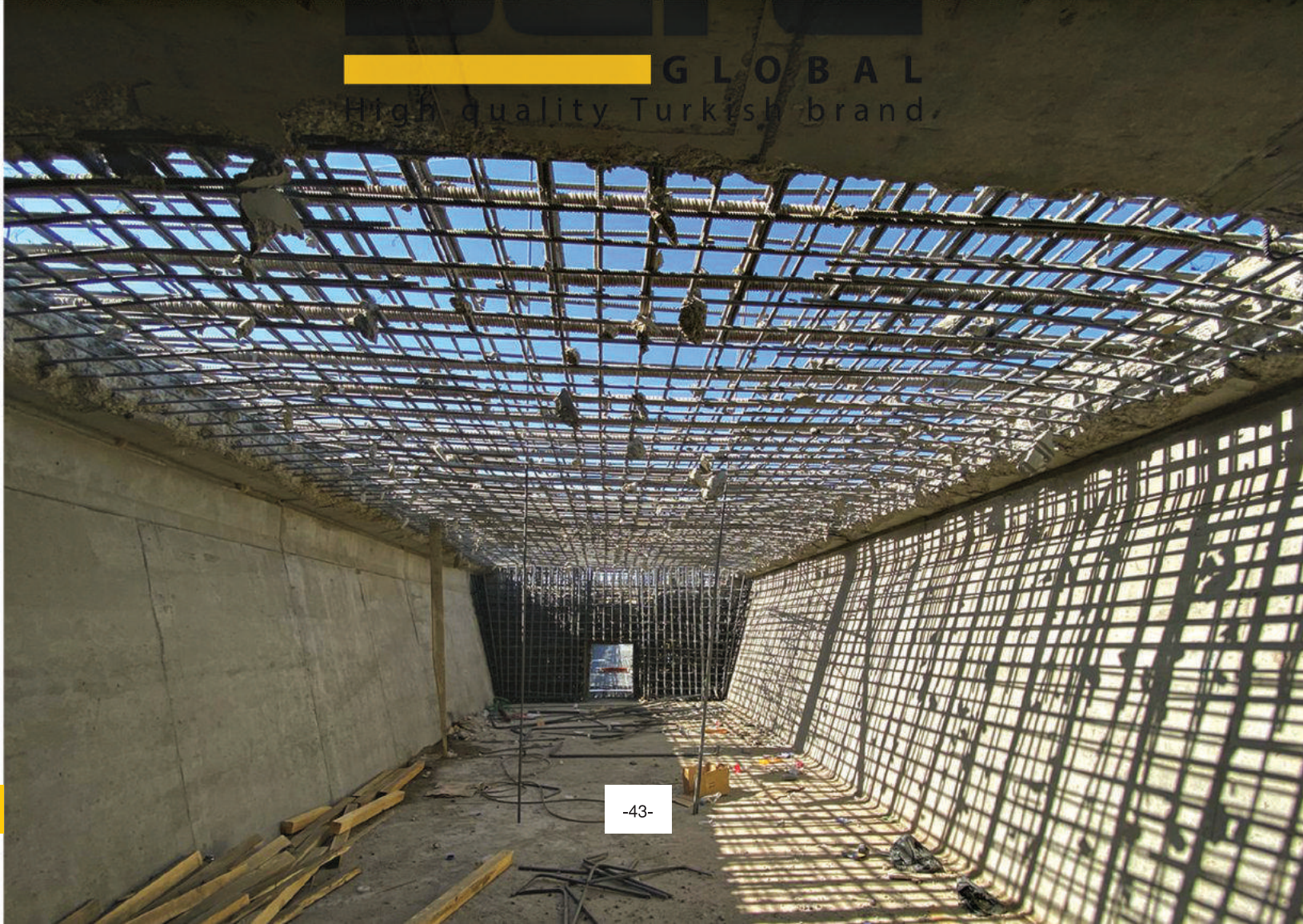
## PTA Series - Order Numbers

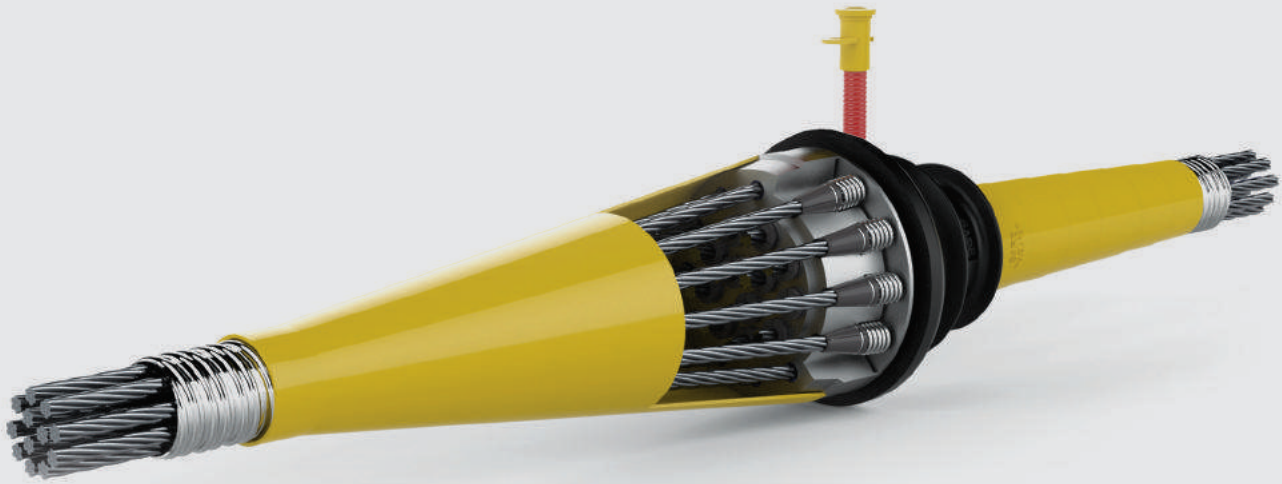
Group Model No.	Product Description		Order Number
<b>PTA-22</b>	<b>22 Strand 6270 kN Plate Type Post Tension Set</b>		<b>PTA.22.06062-00</b>
	AH-22A	Anchor Head	AH.60-22.00
	AHP-22A	Anchor Plate	P60-22.00
	GT-22A	Metal Trumpet	GT.60-22.00
	Nu.D-06_0,62W	Wedge	PTW.06.062-00
<b>PTA-27</b>	<b>27 Strand 7695 kN Plate Type Post Tension Set</b>		<b>PTA.27.06062-00</b>
	AH-27A	Anchor Head	AH.60-27.00
	AHP-27A	Anchor Plate	P60-27.00
	GT-27A	Metal Trumpet	GT.60-27.00
	Nu.D-06_0,62W	Wedge	PTW.06.062-00
<b>PTA-31</b>	<b>31 Strand 8835 kN Plate Type Post Tension Set</b>		<b>PTA.31.06062-00</b>
	AH-31A	Anchor Head	AH.60-31.00
	AHP-31A	Anchor Plate	P60-31.00
	GT-31A	Metal Trumpet	GT.60-31.00
	Nu.D-06_0,62W	Wedge	PTW.06.062-00
<b>PTA-37</b>	<b>37 Strand 10545 kN Plate Type Post Tension Set</b>		<b>PTA.37.06062-00</b>
	AH-37A	Anchor Head	AH.60-37.00
	AHP-37A	Anchor Plate	P60-37.00
	GT-37A	Metal Trumpet	GT.60-37.00
	Nu.D-06_0,62W	Wedge	PTW.06.062-00



**Barca**

**GLOBAL**  
High quality Turkish brand.





CG / 12 Set

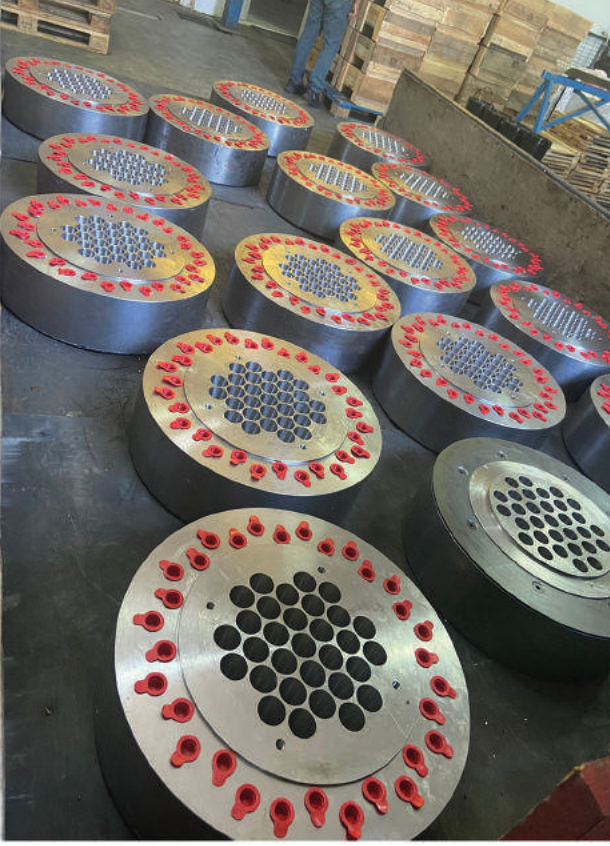


**CG-9** | 9 Halat  
9 Strand

**CG-12** | 12 Halat  
12 Strand

**CG-15** | 15 Halat  
15 Strand

**CG-19** | 19 Halat  
19 Strand



Coupler setleri 0,5", 0,6" ve 0,62" için ayrı uygunlukta ve 9-31 halat arası toplam 7 modelden oluşmaktadır.

Tüm coupler modelleri yüksek dayanımlı özel çelik malzemeden yapılmakta ve kendi üretim tesislerimizde imal edilmektedirler.

Coupler sets consist of 7 models in total, suitable for 0,5", 0,6" and 0,62" and 9-31 ropes.

All coupler models are made from high strength special steel material and manufactured in our own production facilities.



**CG-22** | 22 Halat  
22 Strand

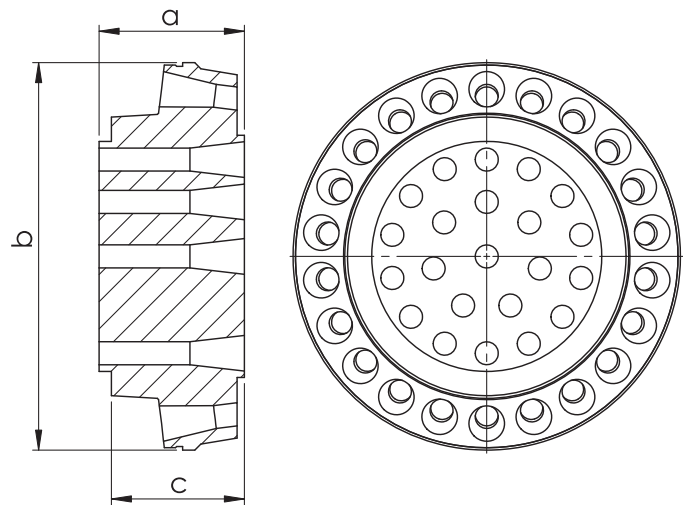


**CG-27** | 27 Halat  
27 Strand





**CG-31** | 31 Halat  
31 Strand

## CG Series - Technical Details



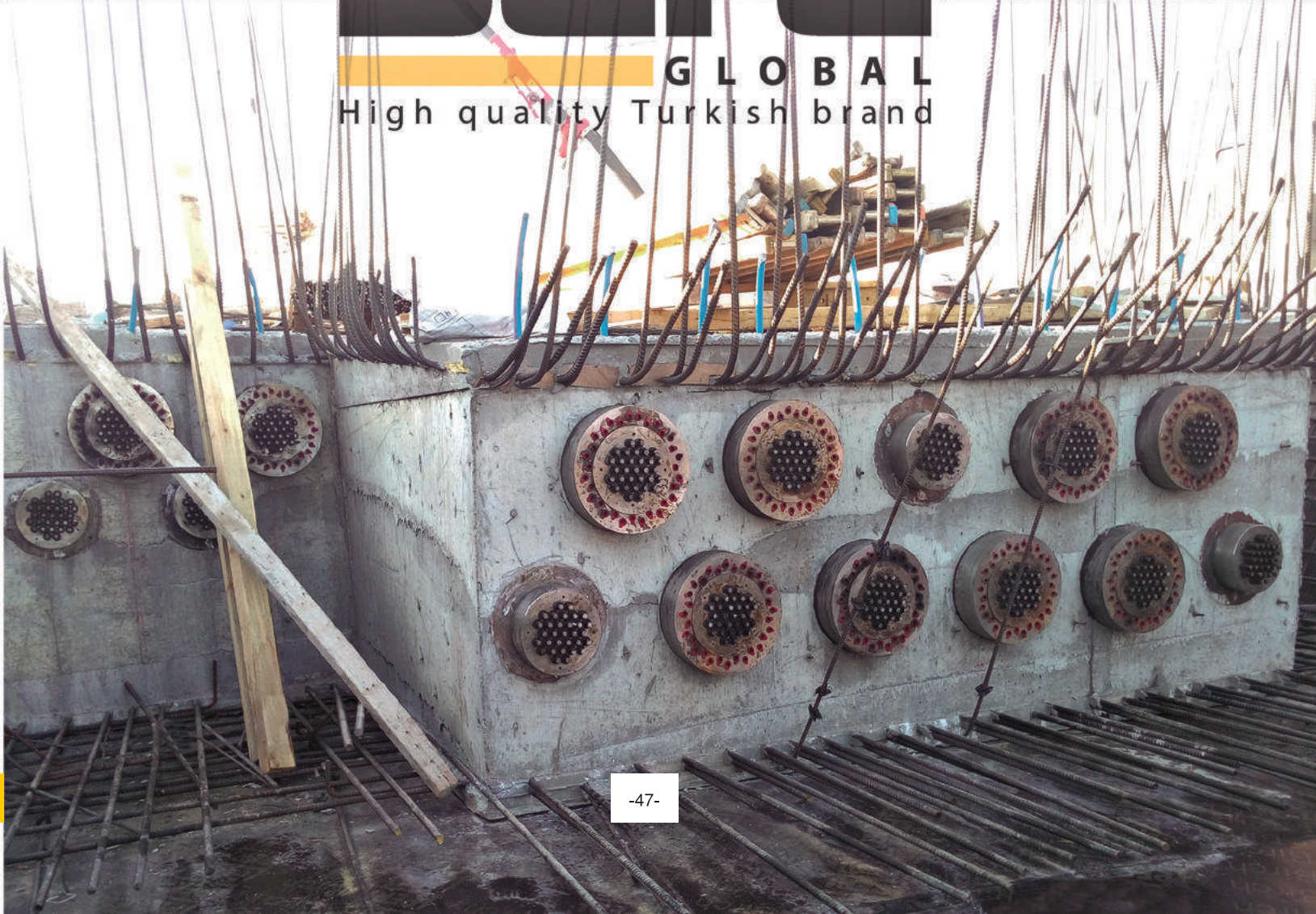
Model No.		CG-9	CG-12	CG-15	CG-19	CG-22	CG-27	CG-31
Number of Strand		9	12	15	19	22	27	31
a	mm	110	110	117	122	122	127	132
b	mm	232	250	262	282	327	342	392
c	mm	105	105	112	114	114	117	122

## CG Series - Order Numbers

Group Model No.	Product Description		Order Number
CG-09S	9 Strand 2565 kN Multi Strand Type Coupler Set		CGS.09.06062-00
	CG-9	9 Strand Coupler	APH.09.06062.00
	Nu.D-06_0,62W	Wedges	PTW.06.062-00
	Nu.D-9C.IB	Irob Block for Coupler	CIB.6062-09.00
	Nu.D-9T	Trumpet	T.05662-9.00
	Nu.D-9MT	Metal Trumpet	MT.05662-9.00
	TB-9	Bold for Metal Trumpet	TB-6062-09.00



**GLOBAL**  
High quality Turkish brand



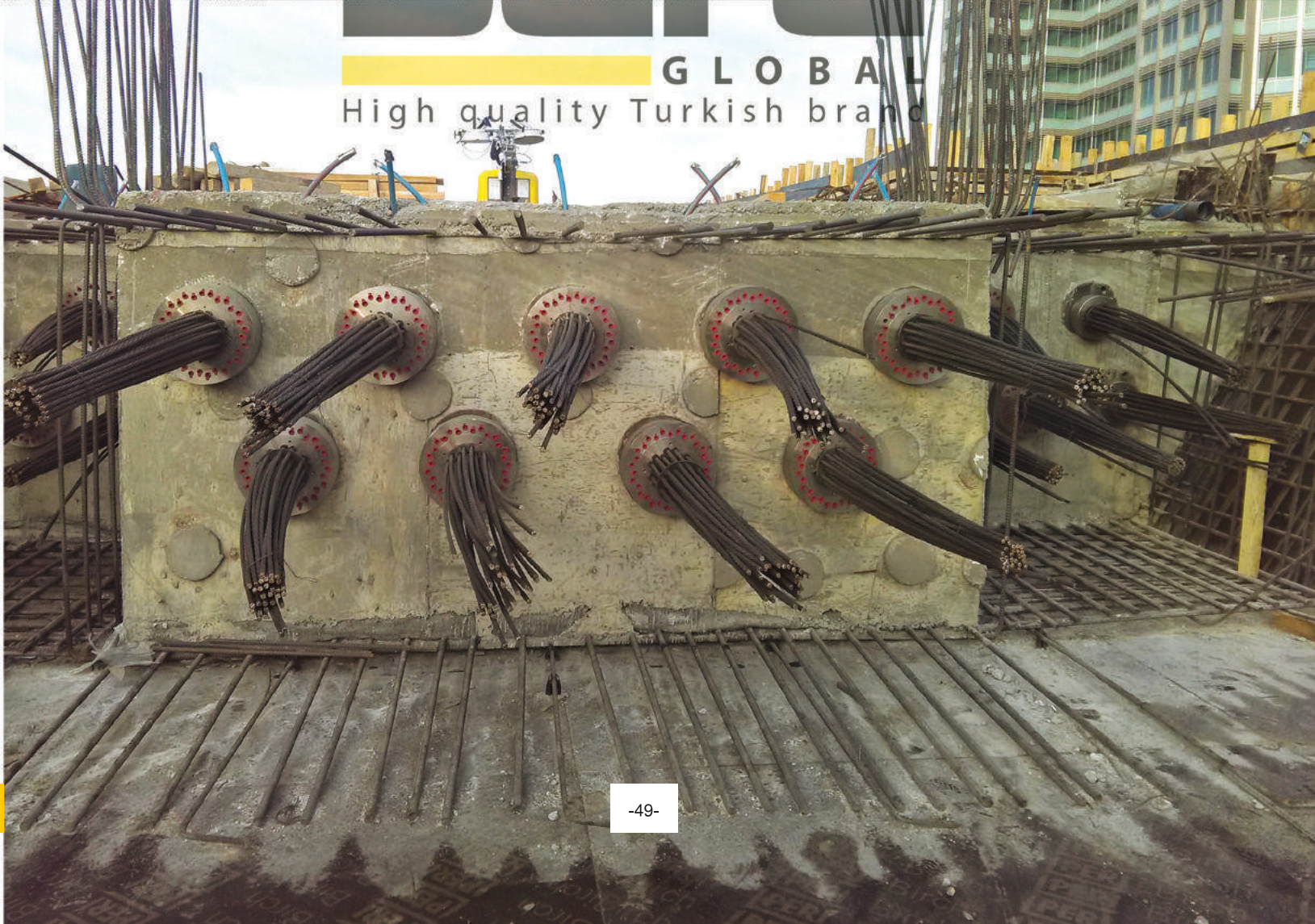


## CG Series - Order Numbers

Group Model No.	Product Description		Order Number
CG-12S	12 Strand 3420 kN Multi Strand Type Coupler Set		CGS.12.06062-00
	CG-12	12 Strand Coupler	APH.12.06062.00
	Nu.D-06_0,62W	Wedges	PTW.06.062-00
	Nu.D-12C.IB	Irob Block for Coupler	CIB.6062-12.00
	Nu.D-12T	Trumpet	T.05662-12.00
	Nu.D-12MT	Metal Trumpet	MT.05662-12.00
	TB-12	Bold for Metal Trumpet	TB-6062-12.00
CG-15S	15 Strand 4275 kN Multi Strand Type Coupler Set		CGS.15.06062-00
	CG-15	15 Strand Coupler	APH.15.06062.00
	Nu.D-06_0,62W	Wedges	PTW.06.062-00
	Nu.D-15C.IB	Irob Block for Coupler	CIB.6062-15.00
	Nu.D-15T	Trumpet	T.05662-15.00
	Nu.D-15MT	Metal Trumpet	MT.05662-15.00
	TB-15	Bold for Metal Trumpet	TB-6062-15.00
CG-19S	19 Strand 5415 kN Multi Strand Type Coupler Set		CGS.19.06062-00
	CG-19	19 Strand Coupler	APH.19.06062.00
	Nu.D-06_0,62W	Wedges	PTW.06.062-00
	Nu.D-19C.IB	Irob Block for Coupler	CIB.6062-19.00
	Nu.D-19T	Trumpet	T.05662-19.00
	Nu.D-19MT	Metal Trumpet	MT.05662-19.00
	TB-19	Bold for Metal Trumpet	TB-6062-19.00

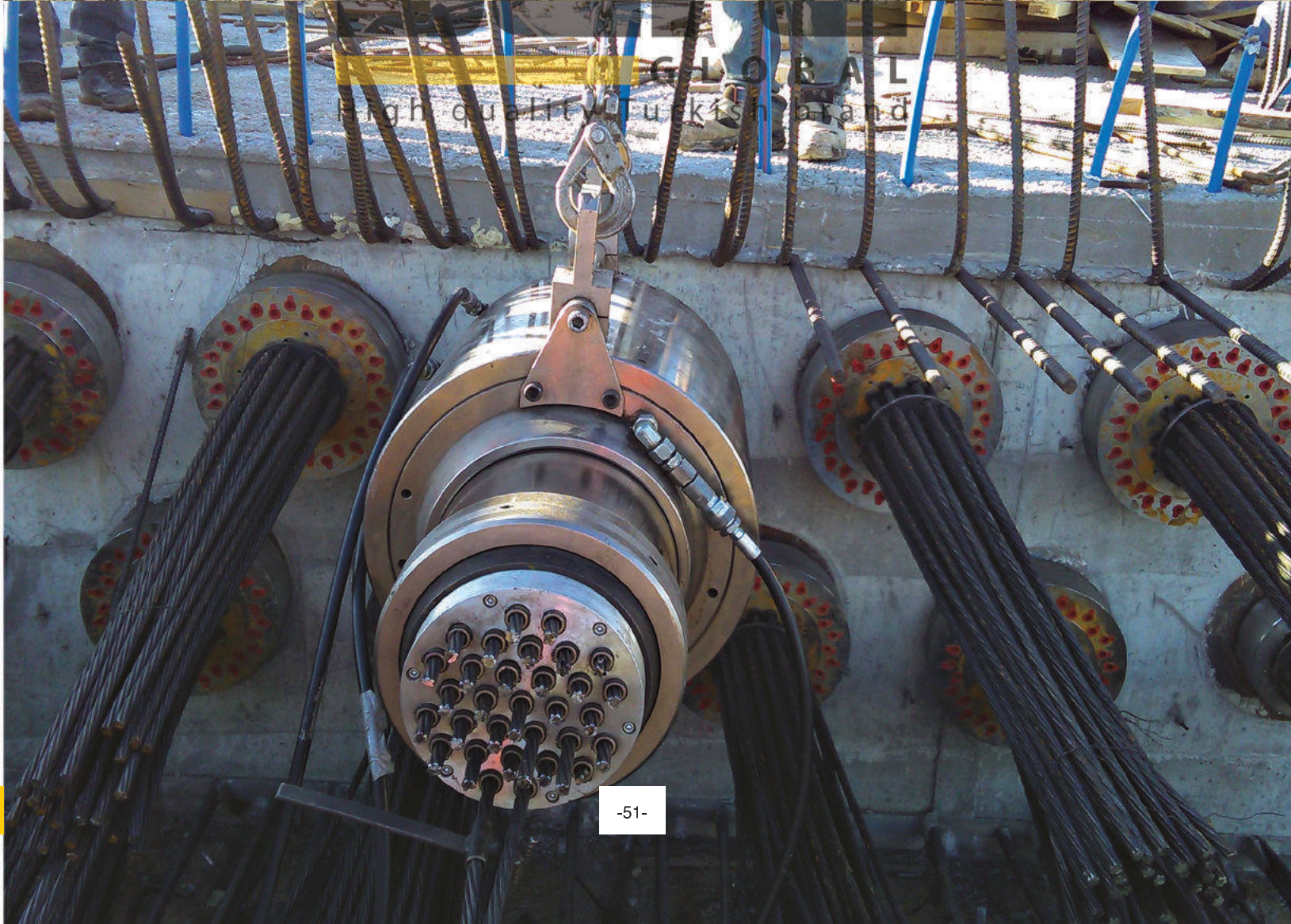


**GLOBAL**  
High quality Turkish brand

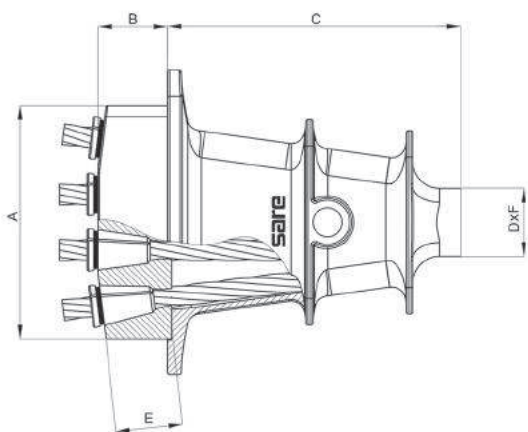


## CG Series - Order Numbers

Group Model No.	Product Description		Order Number
CG-22S	22 Strand 6270 kN Multi Strand Type Coupler Set		CGS.22.06062-00
	CG-22	22 Strand Coupler	APH.22.06062.00
	Nu.D-06_0,62W	Wedges	PTW.06.062-00
	Nu.D-22C.IB	Irob Block for Coupler	CIB.6062-22.00
	Nu.D-22T	Trumpet	T.05662-22.00
	Nu.D-22MT	Metal Trumpet	MT.05662-22.00
	TB-22	Bold for Metal Trumpet	TB-6062-22.00
CG-27S	27 Strand 7695 kN Multi Strand Type Coupler Set		CGS.27.06062-00
	CG-27	27 Strand Coupler	APH.27.06062.00
	Nu.D-06_0,62W	Wedges	PTW.06.062-00
	Nu.D-27C.IB	Irob Block for Coupler	CIB.6062-27.00
	Nu.D-27T	Trumpet	T.05662-27.00
	Nu.D-27MT	Metal Trumpet	MT.05662-27.00
	TB-27	Bold for Metal Trumpet	TB-6062-27.00
CG-31S	31 Strand 8835 kN Multi Strand Type Coupler Set		CGS.31.06062-00
	CG-31	31 Strand Coupler	APH.31.06062.00
	Nu.D-06_0,62W	Wedges	PTW.06.062-00
	Nu.D-31C.IB	Irob Block for Coupler	CIB.6062-31.00
	Nu.D-31T	Trumpet	T.05662-31.00
	Nu.D-31MT	Metal Trumpet	MT.05662-31.00
	TB-31	Bold for Metal Trumpet	TB-6062-31.00



## FL-F Series (Flat Type) - Technical Details



Model No.	A	B	C	DxF	E
	mm	mm	mm	mm	mm
FL-3F/05	130	47	195	72x20	47
FL-4F/05	168	50	234		
FL-5F/05	205	50	245		
FL-3F/06	130	47	195		
FL-4F/06	168	50	234		
FL-5F/06	205	50	245		

## FL-F Series - Order Numbers

Group Model No.                      Product Description                      Order Number

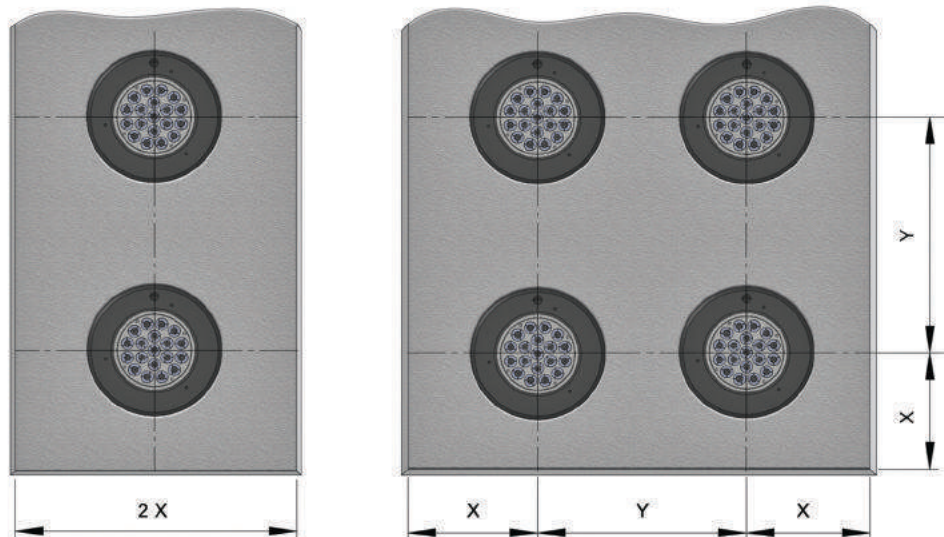
FL-3F/06	3 Strand 855 kN Flat Type Post Tension Set		FL.60-3F02
	AH-3F	Flat Type Anchor Head	AH.60-03.02
	Nu.D-3FIB-F	Flat Iron Block	IBF6062-03F02
	Nu.D-06W	Wedges	PTW.06-00

FL-4F/06	4 Strand 1140 kN Flat Type Post Tension Set		FL.60-4F02
	AH-4F	Flat Type Anchor Head	AH.60-04.02
	Nu.D-4FIB-F	Flat Iron Block	IBF6062-04F02
	Nu.D-06W	Wedges	PTW.06-00

FL-5F/06	5 Strand 1425 kN Flat Type Post Tension Set		FL.60-5F02
	AH-5F	Flat Type Anchor Head	AH.60-05.02
	Nu.D-5FIB-F	Flat Iron Block	IBF6062-05F02
	Nu.D-06W	Wedges	PTW.06-00



**SA**  
High quality Technology



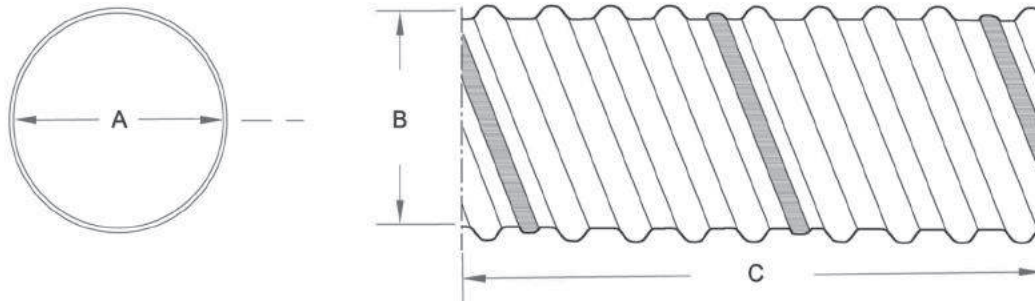
Minimum Centres Spacing Y (mm)			Minimum Edges Distance X (mm)		
Number of Strands	f <sub>cmi, cube</sub>		Number of Strands	f <sub>cmi, cube</sub>	
	35 MPa	45 MPa		35 MPa	45 MPa
4	250	230	4	130	120
7	335	295	7	175	155
9	370	320	9	190	165
12	430	380	12	220	195
15	480	430	15	245	220
19	545	485	19	280	250
22	585	520	22	300	265
27	650	580	27	330	295
31	710	630	31	360	320

The distances from edges and between anchorages are the same for the two types of anchorage AG and PG.

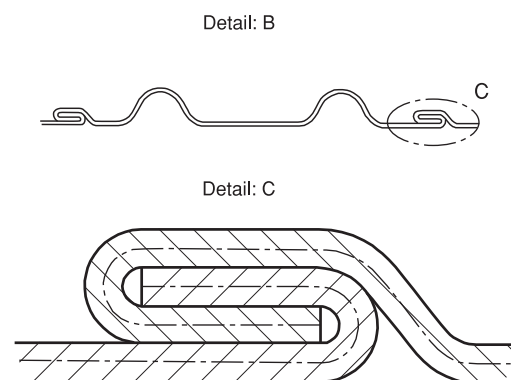
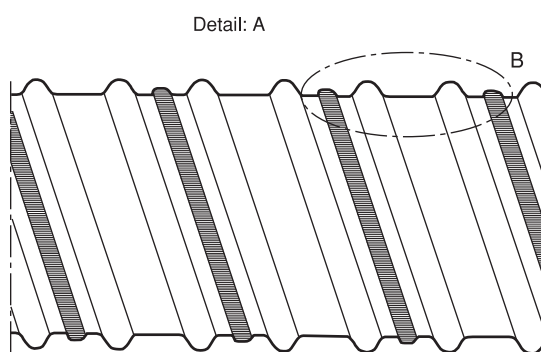




# GSP Series - Galvanized Ducts Technical Details



Number of Strands		4	7	9	12	15	19	22	27	31
<b>GALVANIZED CORRUGATED DUCT</b>										
A	Internal Dia. Ø(mm)	Ø 45	Ø 55	Ø 70	Ø 80	Ø 90	Ø 95	Ø 110	Ø 115	Ø 120
B	External Dia. Ø(mm)	Ø 50	Ø 60	Ø 75	Ø 85	Ø 95	Ø 100	Ø 115	Ø 120	Ø 125
C	mt	5,70	5,70	5,70	5,70	5,70	5,70	5,70	5,70	5,70
THICKNESS	mm	0,40	0,40	0,40	0,40	0,40	0,40	0,40	0,40	0,40
<b>GALVANIZED CORRUGATED CONNECTOR</b>										
A	Ø(mm)	Ø 50	Ø 60	Ø 75	Ø 85	Ø 95	Ø 100	Ø 115	Ø 120	Ø 125
B	Ø(mm)	Ø 55	Ø 65	Ø 80	Ø 90	Ø 100	Ø 105	Ø 120	Ø 125	Ø 130
C	mm	300	300	300	300	300	300	300	300	300
THICKNESS	mm	0,40	0,40	0,40	0,40	0,40	0,40	0,40	0,40	0,40





## GSP Series - Galvanized Ducts Order Number

Model	Product Description	Order Number
GSP-4.4	Galvanized Corrugated Duct 45 x 50 - 0,40 / Length : 5,70 mt	GB4.4550-40.00
GSP-4.4M-30	Galvanized Corrugated connector 50 x 55 - 0,40 / Length : 0,30 mt	GM4.5055-40.03
GSP-4.4M-40	Galvanized Corrugated connector 50 x 55 - 0,40 / Length : 0,40 mt	GM4.5055-40.04
GSP-4.4M-50	Galvanized Corrugated connector 50 x 55 - 0,40 / Length : 0,50 mt	GM4.5055-40.05

GSP-7.4	Galvanized Corrugated Duct 55 x 60 - 0,40 / Length : 5,70 mt	GB7.5560-40.00
GSP-7.4M-30	Galvanized Corrugated connector 60 x 65 - 0,40 / Length : 0,30 mt	GM7.6065-40.03
GSP-7.4M-40	Galvanized Corrugated connector 60 x 65 - 0,40 / Length : 0,40 mt	GM7.6065-40.04
GSP-7.4M-50	Galvanized Corrugated connector 60 x 65 - 0,40 / Length : 0,50 mt	GM7.6065-40.05

GSP-9.4	Galvanized Corrugated Duct 70 x 75 - 0,40 / Length : 5,70 mt	GB9.7075-40.00
GSP-9.4M-30	Galvanized Corrugated connector 75 x 80 - 0,40 / Length : 0,30 mt	GM9.7580-40.03
GSP-9.4M-40	Galvanized Corrugated connector 75 x 80 - 0,40 / Length : 0,40 mt	GM9.7580-40.04
GSP-9.4M-50	Galvanized Corrugated connector 75 x 80 - 0,40 / Length : 0,50 mt	GM9.7580-40.05

GSP-12.4	Galvanized Corrugated Duct 80 x 85 - 0,40 / Length : 5,70 mt	GB12.8085-40.00
GSP-12.4M-30	Galvanized Corrugated connector 85 x 90 - 0,40 / Length : 0,30 mt	GM12.8590-40.03
GSP-12.4M-40	Galvanized Corrugated connector 85 x 90 - 0,40 / Length : 0,40 mt	GM12.8590-40.04
GSP-12.4M-50	Galvanized Corrugated connector 85 x 90 - 0,40 / Length : 0,50 mt	GM12.8590-40.05

GSP-15.4	Galvanized Corrugated Duct 90 x 95 - 0,40 / Length : 5,70 mt	GB15.9095-40.00
GSP-15.4M-30	Galvanized Corrugated connector 95 x 100 - 0,40 / Length : 0,30 mt	GM15.95100-40.03
GSP-15.4M-40	Galvanized Corrugated connector 95 x 100 - 0,40 / Length : 0,40 mt	GM15.95100-40.04
GSP-15.4M-50	Galvanized Corrugated connector 95 x 100 - 0,40 / Length : 0,50 mt	GM15.95100-40.05

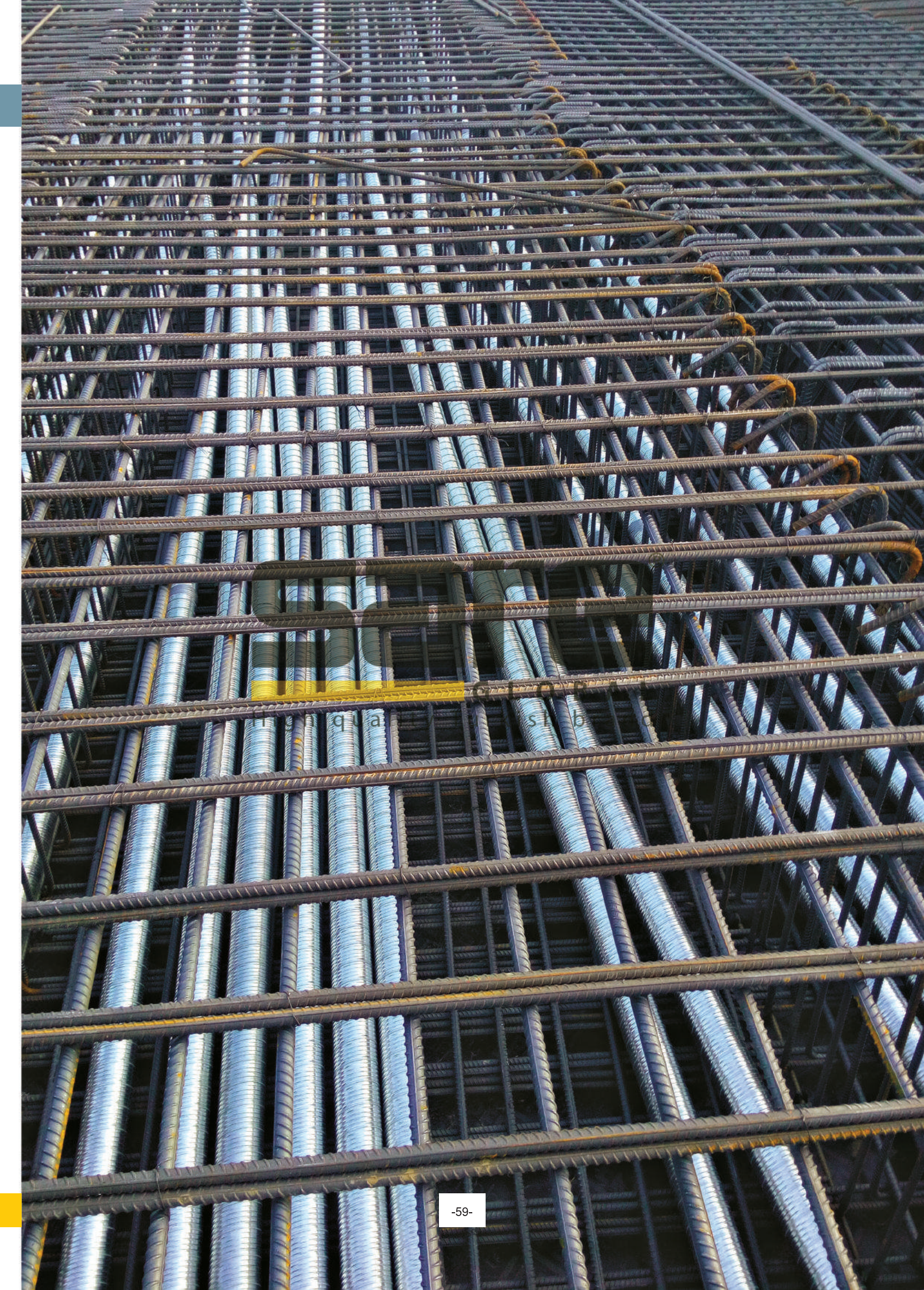


Fig. 1.1

Fig. 1.2

## GSP Series - Galvanized Ducts Order Number

Model	Product Description	Order Number
GSP-19.4	Galvanized Corrugated Duct 95 x 100 - 0,40 / Length : 5,70 mt	GB19.95100-40.00
GSP-19.4M-30	Galvanized Corrugated connector 100 x 105 - 0,40 / Length : 0,30 mt	GM19.100105-40.03
GSP-19.4M-40	Galvanized Corrugated connector 100 x 105 - 0,40 / Length : 0,40 mt	GM19.100105-40.04
GSP-19.4M-50	Galvanized Corrugated connector 100 x 105 - 0,40 / Length : 0,50 mt	GM19.100105-40.05

GSP-22.4	Galvanized Corrugated Duct 110 x 115 - 0,40 / Length : 5,70 mt	GB22.110115-40.00
GSP-22.4M-30	Galvanized Corrugated connector 115 x 120 - 0,40 / Length : 0,30 mt	GM22.115120-40.03
GSP-22.4M-40	Galvanized Corrugated connector 115 x 120 - 0,40 / Length : 0,40 mt	GM22.115120-40.04
GSP-22.4M-50	Galvanized Corrugated connector 115 x 120 - 0,40 / Length : 0,50 mt	GM22.115120-40.05

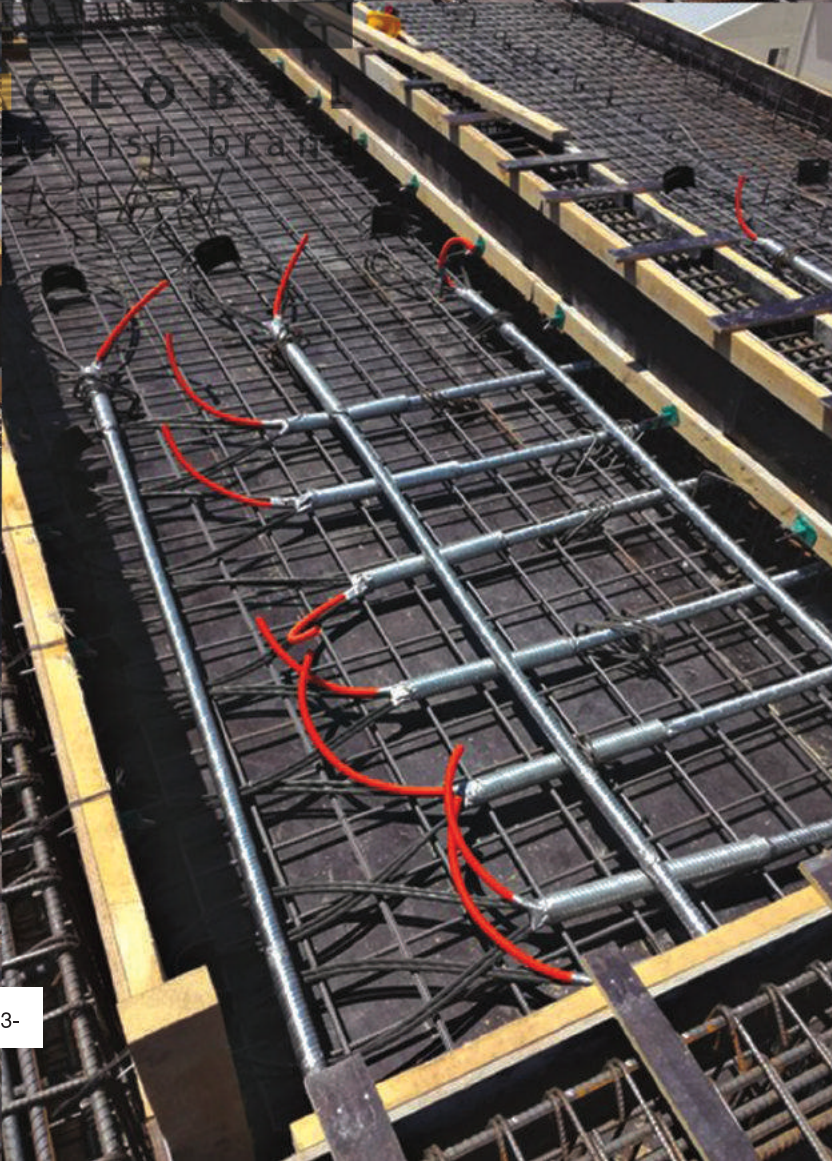
GSP-27.4	Galvanized Corrugated Duct 115 x 120 - 0,40 / Length : 5,70 mt	GB27.115120-40.00
GSP-27.4M-30	Galvanized Corrugated connector 120 x 125 - 0,40 / Length : 0,30 mt	GM27.120125-40.03
GSP-27.4M-40	Galvanized Corrugated connector 120 x 125 - 0,40 / Length : 0,40 mt	GM27.120125-40.04
GSP-22.4M-50	Galvanized Corrugated connector 120 x 125 - 0,40 / Length : 0,50 mt	GM27.120125-40.05

GSP-31.4	Galvanized Corrugated Duct 120 x 125 - 0,40 / Length : 5,70 mt	GB31.120125-40.00
GSP-31.4M-30	Galvanized Corrugated connector 125 x 130 - 0,40 / Length : 0,30 mt	GM31.125130-40.03
GSP-31.4M-40	Galvanized Corrugated connector 125 x 130 - 0,40 / Length : 0,40 mt	GM31.125130-40.04
GSP-31.4M-50	Galvanized Corrugated connector 125 x 130 - 0,40 / Length : 0,50 mt	GM31.125130-40.05



## GSP Series - Tests and Performance Results

Test	Specifications	Unit	GSP-4	GSP-7	GSP-9	GSP-12
Dimension Properties	Internal Diameter (Nominal)	mm	45	55	70	80
	Outer Diameter (Nominal)	mm	50	60	75	85
	Wall Thickness (Nominal)	mm	0,4	0,4	0,4	0,4
	Height of Profile (Nominal)	mm	1,9	1,9	1,9	1,9
	Relative Volume of Profile	cm <sup>3</sup>	0,022	0,022	0,014	0,034
Flexural Behavior	Span Length	mm	1000	1000	1000	1000
	Irreversible Deflection	mm	1,09	1,16	1,19	0,99
	Total Deflection	mm	13,21	15,73	12,8	10,92
	Load	N	253	277	553	608
To and Fro Bending Test	Radius	mm	750	750	750	750
	Applying of the Steel Plunger	-	Pass	Pass	Pass	Pass
Lateral Load Resistance	Length	mm	1100	1100	1100	1100
	Applied Load	N	1500	1500	1500	1500
	Internal Diameter	mm	45,43	53,67	70,3	80,6
	Smallest Irreversible Internal Diameter on the Seam	mm	46,56	52,38	71,17	81,37
	Smallest Irreversible Internal Diameter on the Seam	mm	44,74	50,61	68,3	79,46
Tensile Test	Internal Diameter	mm	45,43	53,67	70,3	80,6
	Length of Overlap	mm	68	83	105	120
	Tensile Load	N	800	1100	1500	1700
	Displacement	mm	0,89	1,02	1,85	0,71
Tensile Test	Length	mm	1100	1100	1100	1100
	Water Loss	%	0,2	0,3	0,2	0,4





## GSP Series - Tests and Performance Results

Test	Specifications	Unit	GSP-15	GSP-19	GSP-22	GSP-27	GSP-31
Dimension Properties	Internal Diameter (Nominal)	mm	90	95	110	115	120
	Outer Diameter (Nominal)	mm	95	100	115	120	125
	Wall Thickness (Nominal)	mm	0,4	0,4	0,4	0,4	0,4
	Height of Profile (Nominal)	mm	1,9	1,9	1,9	1,9	1,9
	Relative Volume of Profile	cm <sup>3</sup>	0,041	0,028	0,033	0,029	0,041
Flexural Behavior	Span Length	mm	1000	1000	1000	1000	1000
	Irreversible Deflection	mm	0,76	0,9	0,65	0,63	0,77
	Total Deflection	mm	7,94	9,85	7,55	7,13	8,76
	Load	N	553	627	631	618	644
To and Fro Bending Test	Radius	mm	900	900	1000	1000	1000
	Applying of the Steel Plunger	-	Pass	Pass	Pass	Pass	Pass
Lateral Load Resistance	Length	mm	1100	1100	1100	1100	1100
	Applied Load	N	1500	1500	1500	1500	1500
	Internal Diameter	mm	80,41	95,36	110,36	115,21	120,21
	Smallest Irreversible Internal Diameter on the Seam	mm	91,44	96,39	111,63	114,81	119,85
	Smallest Irreversible Internal Diameter on the Seam	mm	89,74	94,71	109,73	112,36	117,26
Tensile Test	Internal Diameter	mm	80,41	95,36	110,36	115,21	120,21
	Length of Overlap	mm	135	143	165	173	180
	Tensile Load	N	1900	1900	2200	2200	2200
	Displacement	mm	0,67	3,11	2,28	3,37	3,18
Tensile Test	Length	mm	1100	1100	1100	1100	1100
	Water Loss	%	0,3	0,6	0,5	0,4	0,6





**PP-AC / 2731**  
Yarım Ay  
Bleeding Cover



**PP-AC / 1922**  
Yarım Ay  
Bleeding Cover



**PP-AC / 1215**  
Yarım Ay  
Bleeding Cover



**PP-AC / 0709**  
Yarım Ay  
Bleeding Cover



**PP-SV20**  
Enjeksiyon Valfi  
Injection Valve



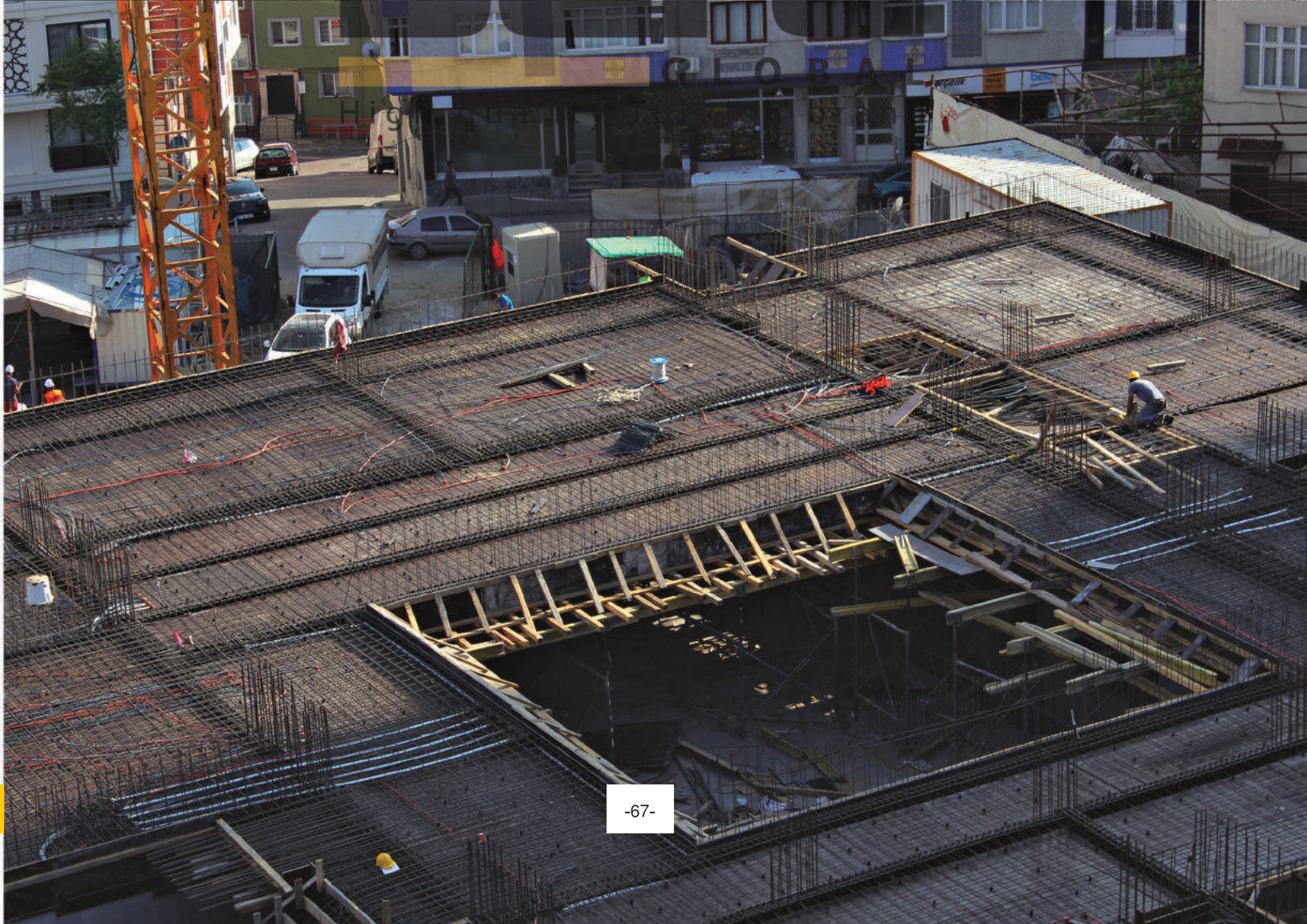
**PP-R20**  
Enjeksiyon Redüktörü  
Injection Reducer



**PP-PC**  
Çelik Halat Fişegi  
PC Strand Cartridge



**PP-IP20**  
Enjeksiyon Borusu  
Injection Pipe



## SR-I Series - Injection Pump

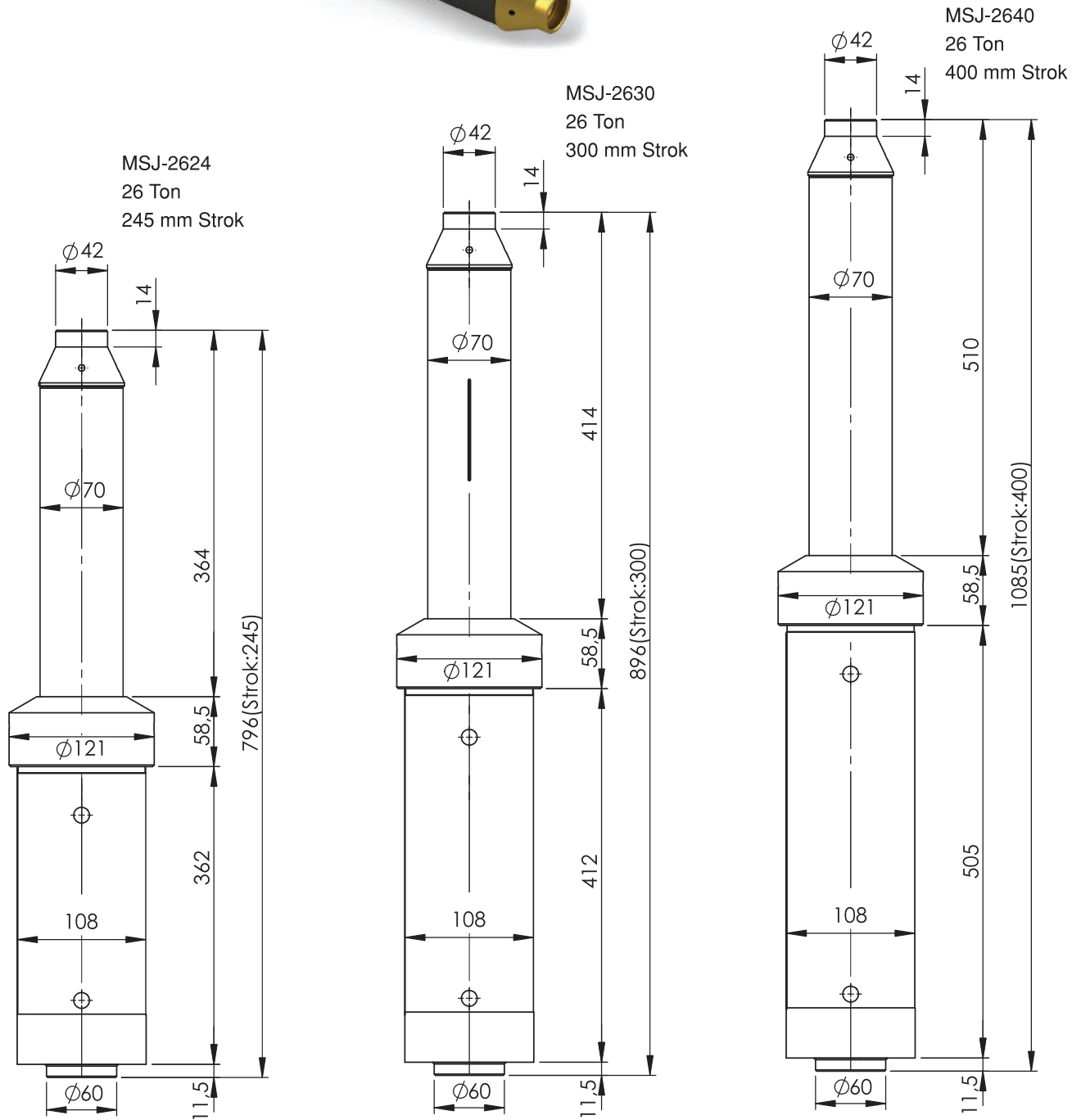


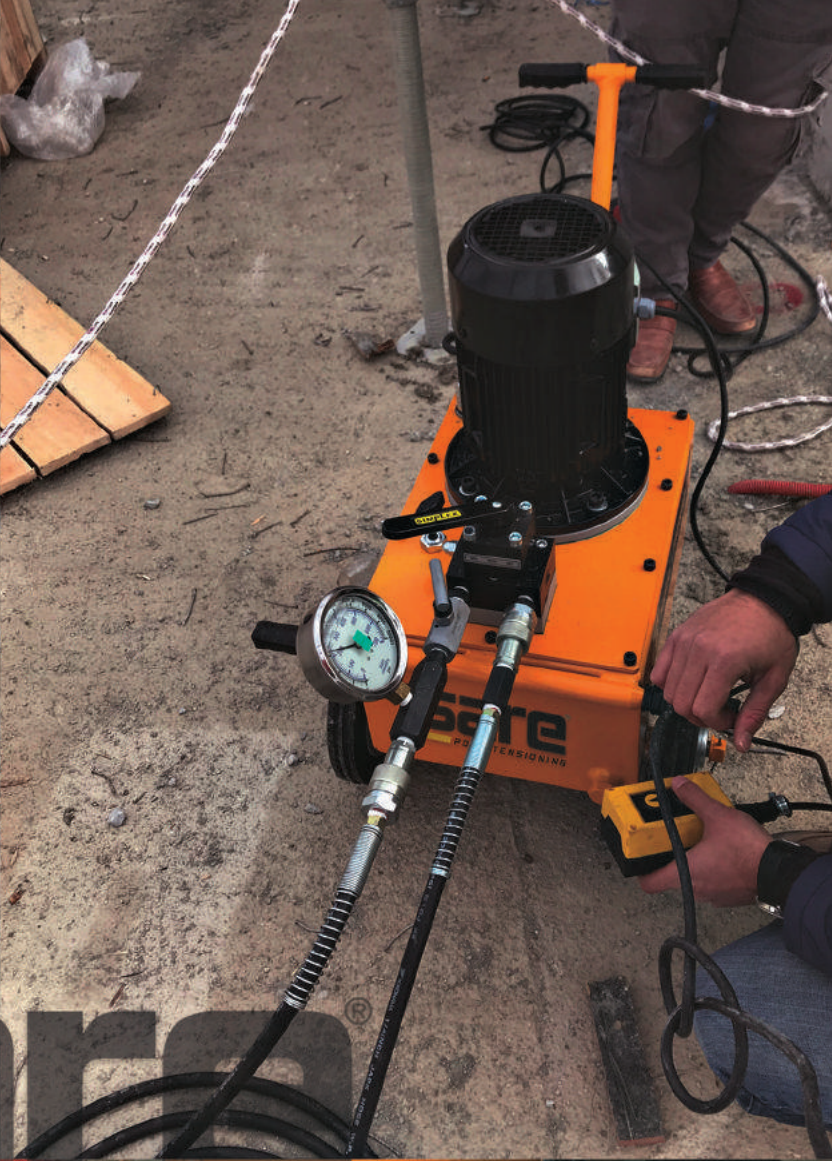
Item		Data
Dimensions	cm	300x90x165
Gross Weight	kg	580
Rotor Type	P3	P8
Theoretical Pump Capacity	Lt/min	70
Maximum Output Pressure	bar	40
Out Hose Diameter	inch	1
Max. Send Mess. Vertical	m	80
Max. Send Mess. Horizontal Max.	m	100
Main Engine Power	kw	7,5
Mixer Motor Power	kw	3x2
Voltage / Frequency	v/hz	380/50
Total Consumption	kw	13,5
Rotor Rotation Speed	rpm	407
Mixer Rotation Speed	rpm	55
Boiler Volume	litre	200x2



Item	Data
Product	Strand Pushing Machine
Type	Type 2
Model No	SR-HSR.22
Strand Diameter	12,7 mm - 15,75 mm
Motor Power	5.5 kw
Control Type	Remote Control
Motor Specification	380 V.
Reducer Type	5,5 kw - Inverter
System Type	4 x 4 Pulley System
Weight	170 kg

# MSJ Series - Mono Strand Jacks







## SJM Series - Multi Strand Stressing Jacks

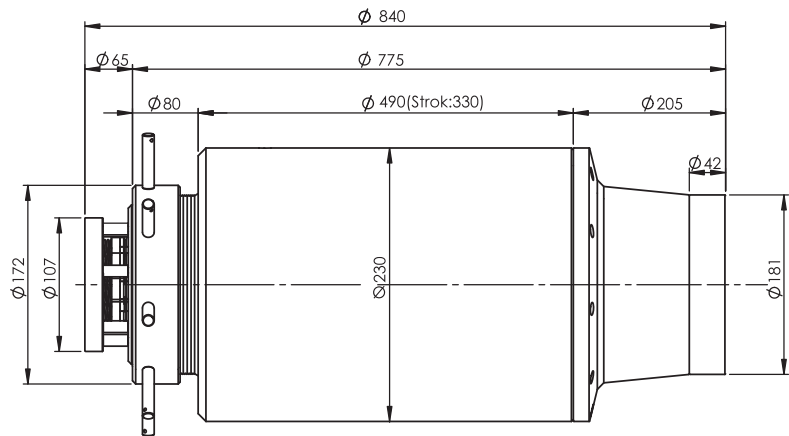


Cylinder Model No.	Number of Strands	Cylinder Capacity (Ton)	Suggested Power Pump	Power Pump Capacity (Bar)	Order Numbers of Complete Set
SJM-11033	4 Strand	110	EPMS-257	700	SJ.04.110-01
SJM-17533	7 Strand	175	EPMS-257	700	SJ.07.175-01
SJM-23533	9 Strand	235	EPMS-257	700	SJ.09.235-01
SJM-31533	12 Strand	315	EPMS-257	700	SJ.12.315-01
SJM-38833	15 Strand	388	EPMS-507	700	SJ.15.388-01
SJM-49533	19 Strand	495	EPMS-507	700	SJ.19.495-01
SJM-58033	22 Strand	580	EPMS-507	700	SJ.22.580-01
SJM-68033	27 Strand	680	EPMS-607	700	SJ.27.680-01
SJM-80533	31 Strand	805	EPMS-607	700	SJ.31.805-01
SJM-97533	37 Strand	975	EPMS-607	700	SJ.37.975-01



# SJM Series - Technical Details



**4  
STRAND**

Model No.	Number of Stressing Strand	Capacity	Strok	Center Hole Diameter	Rod Diameter	Cylinder Inside Diameter	Cylinder Effective Area	Oil Capacity	Locking Capacity	Working Pressure (max.)	Test Pressure	Weight
		Ton	mm	mm	mm	mm	cm <sup>2</sup>	cm <sup>3</sup>	Ton	Bar	Bar	Kg
SJM 11033	0,6" 0,62" 4 Strand	110	330	92	145	180	159,45	2.313	5	700	800	147

## Product Description

Order No.

Multi Strand Stressing Jack System For 4 Strand			SJ-11033.04.01
	Cylinder	110 Ton Capacity - 4 Strand	MSJ-110.04.33.01
	Anchor Head Adaptor	For 4 Strand Anchor Head	AH-A.06.04.01
	Locking Adaptor	0,6" x 4 Strand	LA.06.04.01
	Complete Pipe Adaptor	0,6" x 4 Strand	PA.06.04.01
	Stressing Plate Group	0,6" x 4 Strand	SP.06.04.01
	Stressing Wedge	0,6" Stressing Wedge	SW.06.01
	Power Pack	700 Bar Working Pressure	PW.L.700.1
	Gauge For Pressure Line	$\phi 100$ mm 0-700 Bar	G-GL100.01
	Gauge For Locking Line	$\phi 63$ mm 0-200 Bar	G-GL63.01
	V5B	Shut-Off Valve	V5B.700.01
	Pressure Regulator Valve	Adjustable - 0-700 Bar	AP-R.700.01
	Starter Box	On / Off	SB.3P-01
	Hose For Pressure Line	Internal Dia 6,4 mm (8 mt)	HS-2208.01
	Hose For Return Line	Internal Dia 6,4 mm (8 mt)	HS-2208.02
	Hose For Locking Line	Internal Dia 6,4 mm (8 mt)	HS-2208.03
	Quick Coupler For Pressure Line	3/8" - C209 / 700 Bar wp	C.209.01
	Quick Coupler For Return Line	1/4" - C200 / 700 Bar wp	C.200.01
	Quick Coupler For Locking Line	3/8" - C509 / 700 Bar wp	C.509.01



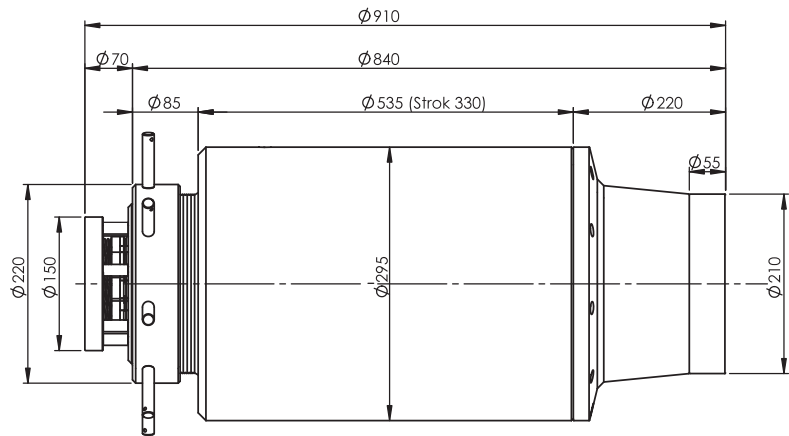
Sarı

G L O B A L  
High quality Turkish brand



# SJM Series - Technical Details

## 7 STRAND



Model No.	Number of Stressing Strand	Capacity	Strok	Center Hole Diameter	Rod Diameter	Cylinder Inside Diameter	Cylinder Effective Area	Oil Capacity	Locking Capacity	Working Pressure (max.)	Test Pressure	Weight
		Ton	mm	mm	mm	mm	cm <sup>2</sup>	cm <sup>3</sup>	Ton	Bar	Bar	Kg
SJM 17533	0,6" 0,62" 7 Strand	175	330	117	190	230	250,24	8.261	8	700	800	160

### Product Description

Order No.

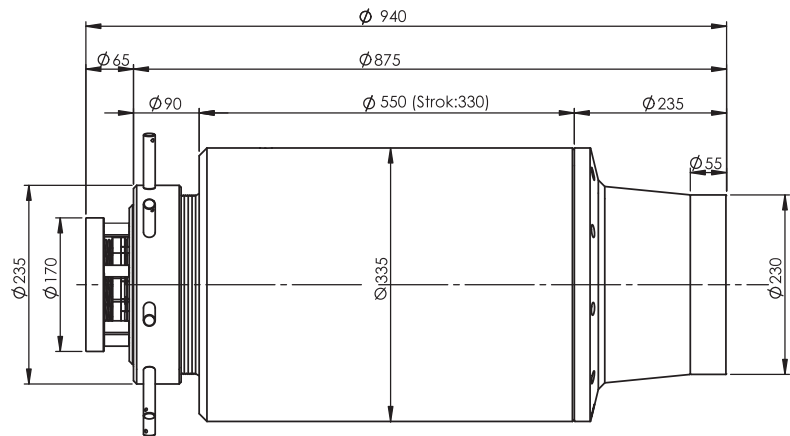
Multi Strand Stressing Jack System For 7 Strand			SJ-17533.07.01
	Cylinder	175 Ton Capacity - 7 Strand	MSJ-175.07.33.01
	Anchor Head Adaptor	For 7 Strand Anchor Head	AH-A.06.07.01
	Locking Adaptor	0,6" x 7 Strand	LA.06.07.01
	Complete Pipe Adaptor	0,6" x 7 Strand	PA.06.07.01
	Stressing Plate Group	0,6" x 7 Strand	SP.06.07.01
	Stressing Wedge	0,6" Stressing Wedge	SW.06.01
	Power Pack	700 Bar Working Pressure	PW.L.700.1
	Gauge For Pressure Line	Ø 100 mm 0-700 Bar	G-GL100.01
	Gauge For Locking Line	Ø 63 mm 0-200 Bar	G-GL63.01
	V5B	Shut-Off Valve	V5B.700.01
	Pressure Regulator Valve	Adjustable - 0-700 Bar	AP-R.700.01
	Starter Box	On / Off	SB.3P-01
	Hose For Pressure Line	Internal Dia 6,4 mm (8 mt)	HS-2208.01
	Hose For Return Line	Internal Dia 6,4 mm (8 mt)	HS-2208.02
	Hose For Locking Line	Internal Dia 6,4 mm (8 mt)	HS-2208.03
	Quick Coupler For Pressure Line	3/8" - C209 / 700 Bar wp	C.209.01
	Quick Coupler For Return Line	1/4" - C200 / 700 Bar wp	C.200.01
	Quick Coupler For Locking Line	3/8" - C509 / 700 Bar wp	C.509.01



GLOBAL  
High quality Turkish brand

# SJM Series - Technical Details

## 9 STRAND



Model No.	Number of Stressing Strand	Capacity	Strok	Center Hole Diameter	Rod Diameter	Cylinder Inside Diameter	Cylinder Effective Area	Oil Capacity	Locking Capacity	Working Pressure (max.)	Test Pressure	Weight
		Ton	mm	mm	mm	mm	cm <sup>2</sup>	cm <sup>3</sup>	Ton	Bar	Bar	Kg
SJM 23533	0,6" 0,62" 9 Strand	235	330	137	212	265	337,72	11.144	18	700	800	306

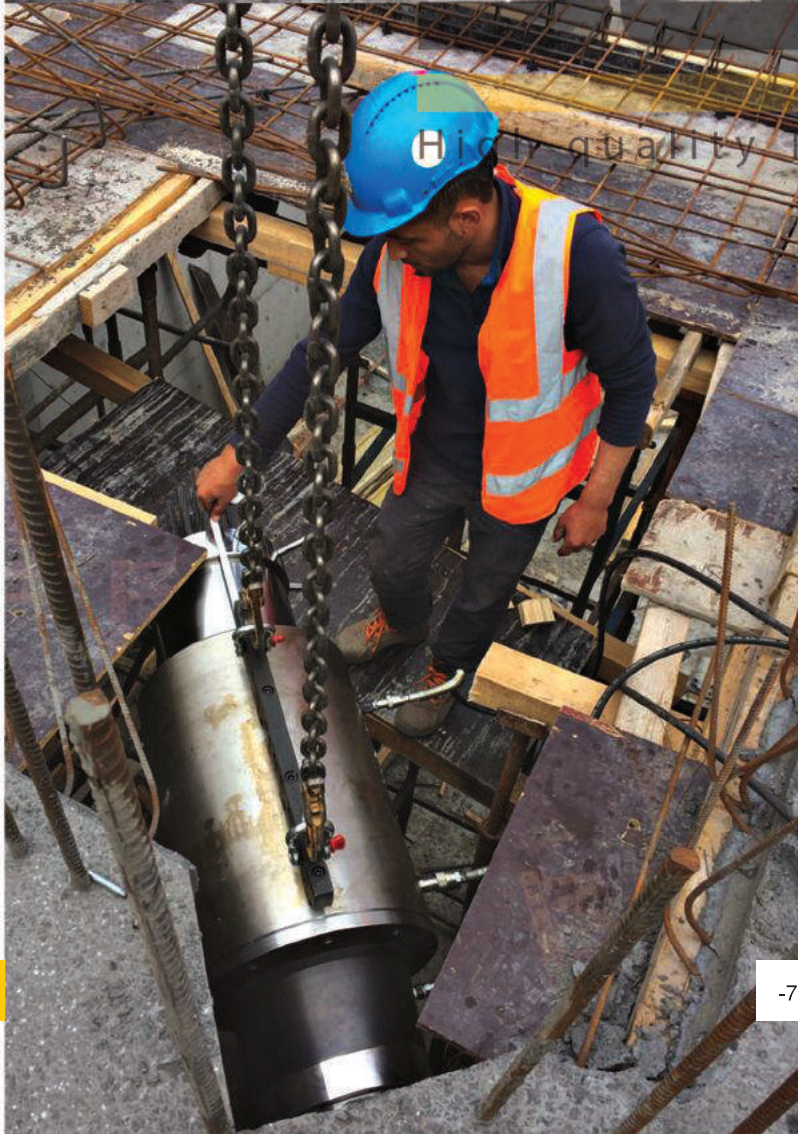
### Product Description

Order No.

Multi Strand Stressing Jack System For 9 Strand			SJ-23533.09.01
	Cylinder	235 Ton Capacity - 9 Strand	MSJ-235.09.33.01
	Anchor Head Adaptor	For 9 Strand Anchor Head	AH-A.06.09.01
	Locking Adaptor	0,6" x 9 Strand	LA.06.09.01
	Complete Pipe Adaptor	0,6" x 9 Strand	PA.06.09.01
	Stressing Plate Group	0,6" x 9 Strand	SP.06.09.01
	Stressing Wedge	0,6" Stressing Wedge	SW.06.01
	Power Pack	700 Bar Working Pressure	PW.L.700.1
	Gauge For Pressure Line	Ø 100 mm 0-700 Bar	G-GL100.01
	Gauge For Locking Line	Ø 63 mm 0-200 Bar	G-GL63.01
	V5B	Shut-Off Valve	V5B.700.01
	Pressure Regulator Valve	Adjustable - 0-700 Bar	AP-R.700.01
	Starter Box	On / Off	SB.3P-01
	Hose For Pressure Line	Internal Dia 6,4 mm (8 mt)	HS-2208.01
	Hose For Return Line	Internal Dia 6,4 mm (8 mt)	HS-2208.02
	Hose For Locking Line	Internal Dia 6,4 mm (8 mt)	HS-2208.03
	Quick Coupler For Pressure Line	3/8" - C209 / 700 Bar wp	C.209.01
	Quick Coupler For Return Line	1/4" - C200 / 700 Bar wp	C.200.01
	Quick Coupler For Locking Line	3/8" - C509 / 700 Bar wp	C.509.01



**sarfo**®

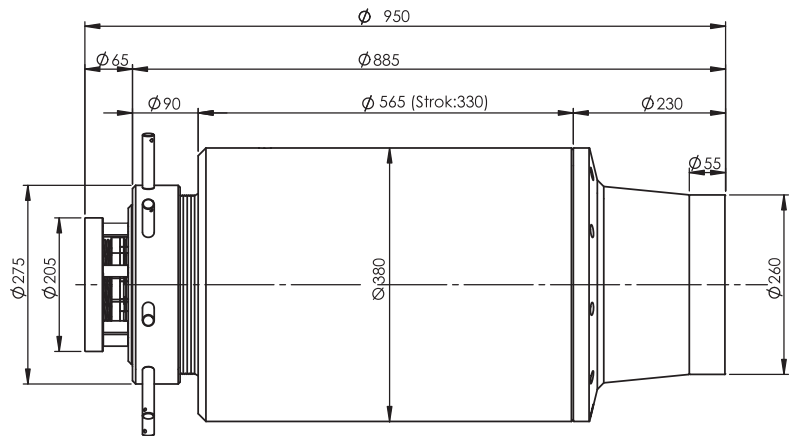


**GLOBAL**  
High quality Turkish brand



# SJM Series - Technical Details

# 12 STRAND



Model No.	Number of Stressing Strand	Capacity	Strok	Center Hole Diameter	Rod Diameter	Cylinder Inside Diameter	Cylinder Effective Area	Oil Capacity	Locking Capacity	Working Pressure (max.)	Test Pressure	Weight
		Ton	mm	mm	mm	mm	cm <sup>2</sup>	cm <sup>3</sup>	Ton	Bar	Bar	Kg
SJM 31533	0,6" 0,62" 12 Strand	315	330	160	250	305	447,05	14.753	12	700	800	289

## Product Description

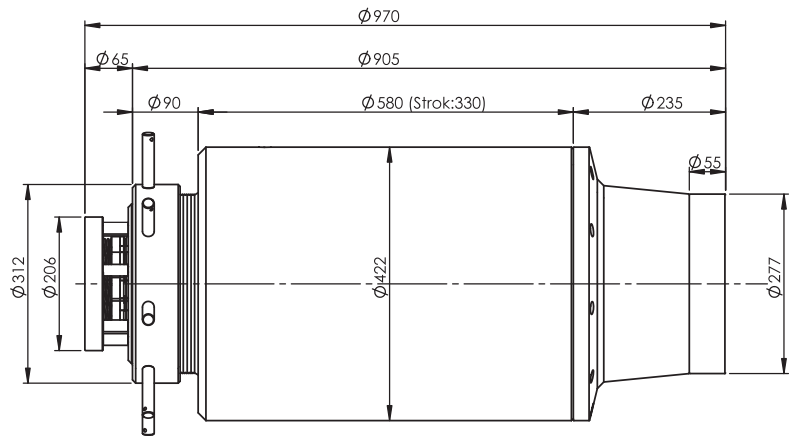
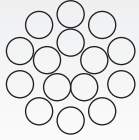
Order No.

Multi Strand Stressing Jack System For 12 Strand		SJ-31533.12.01	
	Cylinder	315 Ton Capacity - 12 Strand	MSJ-315.12.33.01
	Anchor Head Adaptor	For 12 Strand Anchor Head	AH-A.06.12.01
	Locking Adaptor	0,6" x 12 Strand	LA.06.12.01
	Complete Pipe Adaptor	0,6" x 12 Strand	PA.06.12.01
	Stressing Plate Group	0,6" x 12 Strand	SP.06.12.01
	Stressing Wedge	0,6" Stressing Wedge	SW.06.01
	Power Pack	700 Bar Working Pressure	PW.L.700.1
	Gauge For Pressure Line	Ø 100 mm 0-700 Bar	G-GL100.01
	Gauge For Locking Line	Ø 63 mm 0-200 Bar	G-GL63.01
	V5B	Shut-Off Valve	V5B.700.01
	Pressure Regulator Valve	Adjustable - 0-700 Bar	AP-R.700.01
	Starter Box	On / Off	SB.3P-01
	Hose For Pressure Line	Internal Dia 6,4 mm (8 mt)	HS-2208.01
	Hose For Return Line	Internal Dia 6,4 mm (8 mt)	HS-2208.02
	Hose For Locking Line	Internal Dia 6,4 mm (8 mt)	HS-2208.03
	Quick Coupler For Pressure Line	3/8" - C209 / 700 Bar wp	C.209.01
	Quick Coupler For Return Line	1/4" - C200 / 700 Bar wp	C.200.01
	Quick Coupler For Locking Line	3/8" - C509 / 700 Bar wp	C.509.01



# SJM Series - Technical Details

# 15 STRAND



Model No.	Number of Stressing Strand	Capacity	Strok	Center Hole Diameter	Rod Diameter	Cylinder Inside Diameter	Cylinder Effective Area	Oil Capacity	Locking Capacity	Working Pressure (max.)	Test Pressure	Weight
		Ton	mm	mm	mm	mm	cm <sup>2</sup>	cm <sup>3</sup>	Ton	Bar	Bar	Kg
SJM 38833	0,6" 0,62" 15 Strand	388	330	180	280	340	554,9	18.313	15	700	800	282

## Product Description

Order No.

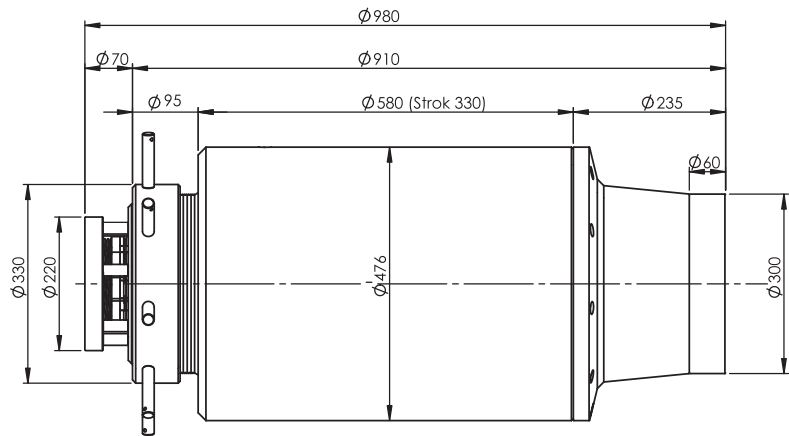
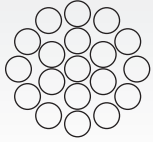
Multi Strand Stressing Jack System For 15 Strand		SJ-38833.15.01	
	Cylinder	388 Ton Capacity - 15 Strand	MSJ-388.15.33.01
	Anchor Head Adaptor	For 15 Strand Anchor Head	AH-A.06.15.01
	Locking Adaptor	0,6" x 15 Strand	LA.06.15.01
	Complete Pipe Adaptor	0,6" x 15 Strand	PA.06.15.01
	Stressing Plate Group	0,6" x 15 Strand	SP.06.15.01
	Stressing Wedge	0,6" Stressing Wedge	SW.06.01
	Power Pack	700 Bar Working Pressure	PW.L.700.2
	Gauge For Pressure Line	Ø 100 mm 0-700 Bar	G-GL100.01
	Gauge For Locking Line	Ø 63 mm 0-200 Bar	G-GL63.01
	V5B	Shut-Off Valve	V5B.700.01
	Pressure Regulator Valve	Adjustable - 0-700 Bar	AP-R.700.01
	Starter Box	On / Off	SB.3P-01
	Hose For Pressure Line	Internal Dia 6,4 mm (8 mt)	HS-2208.01
	Hose For Return Line	Internal Dia 6,4 mm (8 mt)	HS-2208.02
	Hose For Locking Line	Internal Dia 6,4 mm (8 mt)	HS-2208.03
	Quick Coupler For Pressure Line	3/8" - C209 / 700 Bar wp	C.209.01
	Quick Coupler For Return Line	1/4" - C200 / 700 Bar wp	C.200.01
	Quick Coupler For Locking Line	3/8" - C509 / 700 Bar wp	C.509.01



High quality Turkish brand

# SJM Series - Technical Details

# 19 STRAND

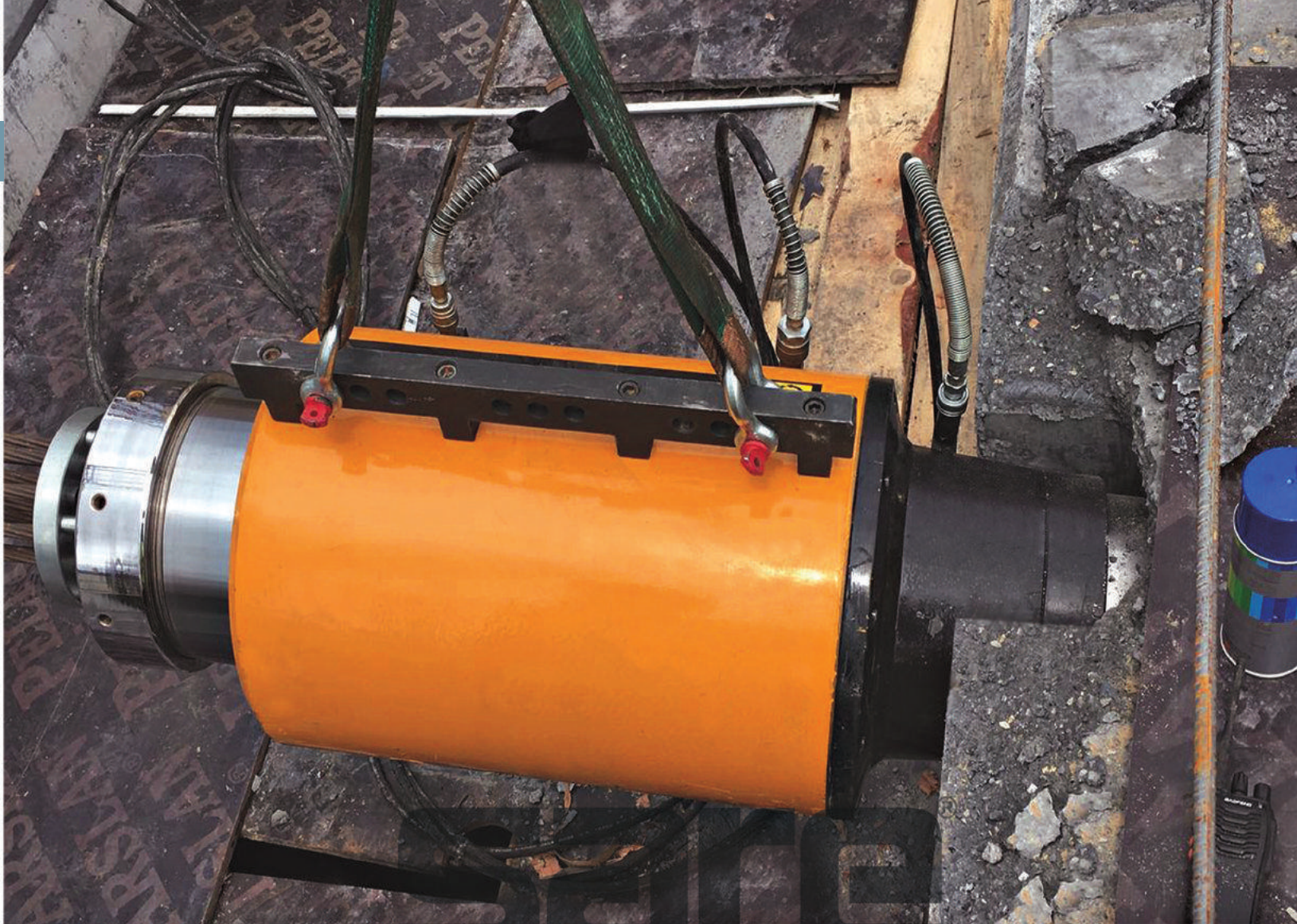


Model No.	Number of Stressing Strand	Capacity	Strok	Center Hole Diameter	Rod Diameter	Cylinder Inside Diameter	Cylinder Effective Area	Oil Capacity	Locking Capacity	Working Pressure (max.)	Test Pressure	Weight
		Ton	mm	mm	mm	mm	cm <sup>2</sup>	cm <sup>3</sup>	Ton	Bar	Bar	Kg
SJM 49533	0,6" 0,62" 19 Strand	495	330	190	300	375	706,85	23.326	18	700	800	644

## Product Description

Order No.

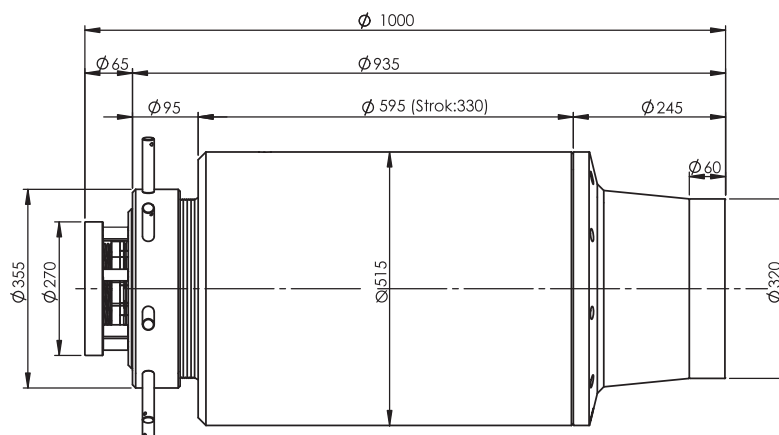
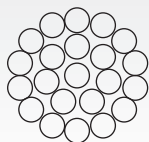
Multi Strand Stressing Jack System For 19 Strand		SJ-49533.19.01	
	Cylinder	495 Ton Capacity - 19 Strand	MSJ-495.19.33.01
	Anchor Head Adaptor	For 19 Strand Anchor Head	AH-A.06.19.01
	Locking Adaptor	0,6" x 19 Strand	LA.06.19.01
	Complete Pipe Adaptor	0,6" x 19 Strand	PA.06.19.01
	Stressing Plate Group	0,6" x 19 Strand	SP.06.19.01
	Stressing Wedge	0,6" Stressing Wedge	SW.06.01
	Power Pack	700 Bar Working Pressure	PW.L.700.2
	Gauge For Pressure Line	Ø 100 mm 0-700 Bar	G-GL100.01
	Gauge For Locking Line	Ø 63 mm 0-200 Bar	G-GL63.01
	V5B	Shut-Off Valve	V5B.700.01
	Pressure Regulator Valve	Adjustable - 0-700 Bar	AP-R.700.01
	Starter Box	On / Off	SB.3P-01
	Hose For Pressure Line	Internal Dia 6,4mm (8 mt)	HS-2208.01
	Hose For Return Line	Internal Dia 6,4 mm (8 mt)	HS-2208.02
	Hose For Locking Line	Internal Dia 6,4 mm (8 mt)	HS-2208.03
	Quick Coupler For Pressure Line	3/8" - C209 / 700 Bar wp	C.209.01
	Quick Coupler For Return Line	1/4" - C200 / 700 Bar wp	C.200.01
	Quick Coupler For Locking Line	3/8" - C509 / 700 Bar wp	C.509.01



GLOBAL  
High quality Turkish brand

# SJM Series - Technical Details

# 22 STRAND



Model No.	Number of Stressing Strand	Capacity	Strok	Center Hole Diameter	Rod Diameter	Cylinder Inside Diameter	Cylinder Effective Area	Oil Capacity	Locking Capacity	Working Pressure (max.)	Test Pressure	Weight
		Ton	mm	mm	mm	mm	cm <sup>2</sup>	cm <sup>3</sup>	Ton	Bar	Bar	Kg
SJM 58033	0,6" 0,62" 22 Strand	580	330	216	330	410	829,38	27.370	22	700	800	698

## Product Description

Order No.

Multi Strand Stressing Jack System For 22 Strand		SJ-58033.22.01	
	Cylinder	580 Ton Capacity - 22 Strand	MSJ-580.22.33.01
	Anchor Head Adaptor	For 22 Strand Anchor Head	AH-A.06.22.01
	Locking Adaptor	0,6" x 22 Strand	LA.06.22.01
	Complete Pipe Adaptor	0,6" x 22 Strand	PA.06.22.01
	Stressing Plate Group	0,6" x 22 Strand	SP.06.22.01
	Stressing Wedge	0,6" Stressing Wedge	SW.06.01
	Power Pack	700 Bar Working Pressure	PW.L.700.2
	Gauge For Pressure Line	Ø 100 mm 0-700 Bar	G-GL100.01
	Gauge For Locking Line	Ø 63 mm 0-200 Bar	G-GL63.01
	V5B	Shut-Off Valve	V5B.700.01
	Pressure Regulator Valve	Adjustable - 0-700 Bar	AP-R.700.01
	Starter Box	On / Off	SB.3P-01
	Hose For Pressure Line	Internal Dia 6,4 mm (8 mt)	HS-2208.01
	Hose For Return Line	Internal Dia 6,4 mm (8 mt)	HS-2208.02
	Hose For Locking Line	Internal Dia 6,4 mm (8 mt)	HS-2208.03
	Quick Coupler For Pressure Line	3/8" - C209 / 700 Bar wp	C.209.01
	Quick Coupler For Return Line	1/4" - C200 / 700 Bar wp	C.200.01
	Quick Coupler For Locking Line	3/8" - C509 / 700 Bar wp	C.509.01

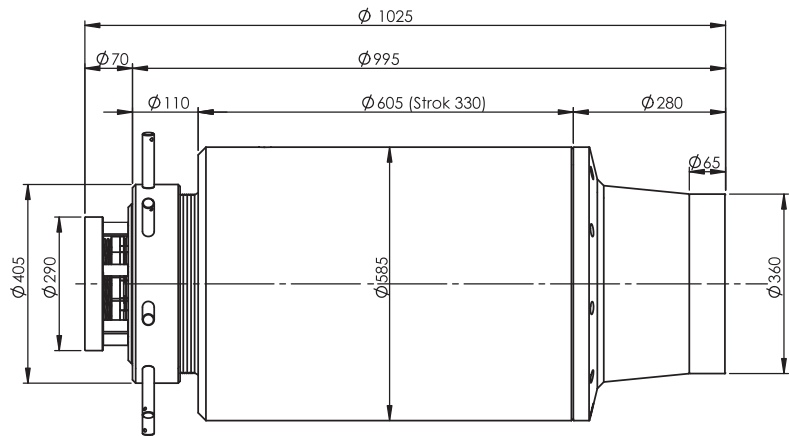
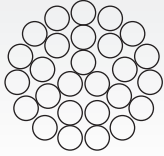


**re**<sup>®</sup>  
GLOBAL  
Turkish brand



# SJM Series - Technical Details

# 27 STRAND



Model No.	Number of Stressing Strand	Capacity	Strok	Center Hole Diameter	Rod Diameter	Cylinder Inside Diameter	Cylinder Effective Area	Oil Capacity	Locking Capacity	Working Pressure (max.)	Test Pressure	Weight
		Ton	mm	mm	mm	mm	cm <sup>2</sup>	cm <sup>3</sup>	Ton	Bar	Bar	Kg
SJM 68033	0,6" 0,62" 27 Strand	680	330	255	375	460	978,4	13.893	28	700	800	1045

## Product Description

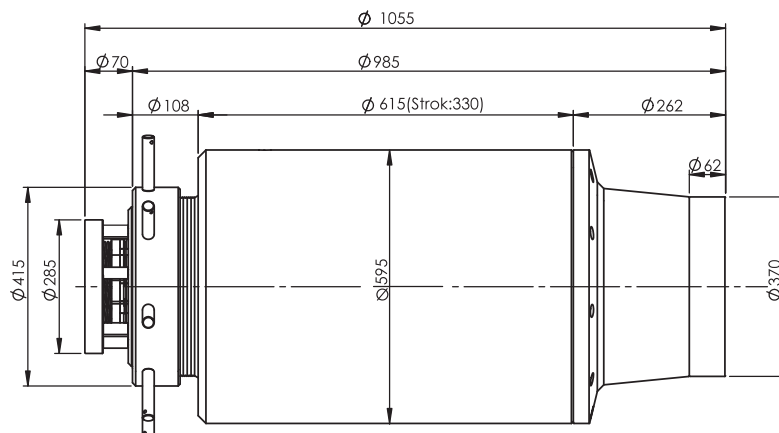
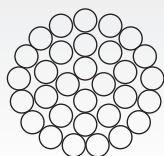
Order No.

Multi Strand Stressing Jack System For 27 Strand		SJ-68033.27.01	
	Cylinder	680 Ton Capacity - 22 Strand	MSJ-680.27.33.01
	Anchor Head Adaptor	For 27 Strand Anchor Head	AH-A.06.27.01
	Locking Adaptor	0,6" x 27 Strand	LA.06.27.01
	Complete Pipe Adaptor	0,6" x 27 Strand	PA.06.27.01
	Stressing Plate Group	0,6" x 27 Strand	SP.06.27.01
	Stressing Wedge	0,6" Stressing Wedge	SW.06.01
	Power Pack	700 Bar Working Pressure	PW.L.700.3
	Gauge For Pressure Line	Ø 100 mm 0-700 Bar	G-GL100.01
	Gauge For Locking Line	Ø 63 mm 0-200 Bar	G-GL63.01
	V5B	Shut-Off Valve	V5B.700.01
	Pressure Regulator Valve	Adjustable - 0-700 Bar	AP-R.700.01
	Starter Box	On / Off	SB.3P-01
	Hose For Pressure Line	Internal Dia 6,4 mm (8 mt)	HS-2208.01
	Hose For Return Line	Internal Dia 6,4 mm (8 mt)	HS-2208.02
	Hose For Locking Line	Internal Dia 6,4 mm (8 mt)	HS-2208.03
	Quick Coupler For Pressure Line	3/8" - C209 / 700 Bar wp	C.209.01
	Quick Coupler For Return Line	1/4" - C200 / 700 Bar wp	C.200.01
	Quick Coupler For Locking Line	3/8" - C509 / 700 Bar wp	C.509.01



**SEKİ** GLOBAL  
High quality Turkish brand

## 31 STRAND



Model No.	Number of Stressing Strand	Capacity	Strok	Center Hole Diameter	Rod Diameter	Cylinder Inside Diameter	Cylinder Effective Area	Oil Capacity	Locking Capacity	Working Pressure (max.)	Test Pressure	Weight
		Ton	mm	mm	mm	mm	cm <sup>2</sup>	cm <sup>3</sup>	Ton	Bar	Bar	Kg
SJM 80533	0,6" 0,62" 31 Strand	805	330	252	390	480	1149,03	37.918	31	700	800	988

### Product Description

Order No.

Multi Strand Stressing Jack System For 31 Strand		SJ-80533.31.01	
	Cylinder	805 Ton Capacity - 31 Strand	MSJ-805.31.33.01
	Anchor Head Adaptor	For 31 Strand Anchor Head	AH-A.06.31.01
	Locking Adaptor	0,6" x 31 Strand	LA.06.31.01
	Complete Pipe Adaptor	0,6" x 31 Strand	PA.06.31.01
	Stressing Plate Group	0,6" x 31 Strand	SP.06.31.01
	Stressing Wedge	0,6" Stressing Wedge	SW.06.01
	Power Pack	700 Bar Working Pressure	PW.L.700.3
	Gauge For Pressure Line	Ø 100 mm 0-700 Bar	G-GL100.01
	Gauge For Locking Line	Ø 63 mm 0-200 Bar	G-GL63.01
	V5B	Shut-Off Valve	V5B.700.01
	Pressure Regulator Valve	Adjustable - 0-700 Bar	AP-R.700.01
	Starter Box	On / Off	SB.3P-01
	Hose For Pressure Line	Internal Dia 6,4 mm (8 mt)	HS-2208.01
	Hose For Return Line	Internal Dia 6,4 mm (8 mt)	HS-2208.02
	Hose For Locking Line	Internal Dia 6,4 mm (8 mt)	HS-2208.03
	Quick Coupler For Pressure Line	3/8" - C209 / 700 Bar wp	C.209.01
	Quick Coupler For Return Line	1/4" - C200 / 700 Bar wp	C.200.01
	Quick Coupler For Locking Line	3/8" - C509 / 700 Bar wp	C.509.01



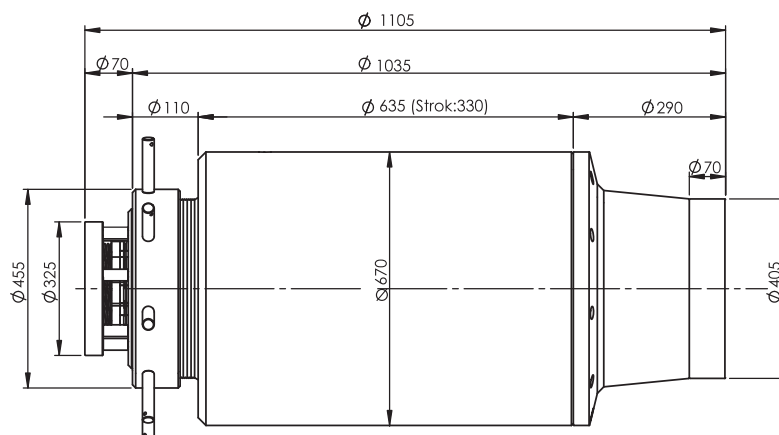
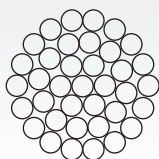
**SIMPLEX**

ADV. HOLD RET.

GLOBAL  
High quality Turkish brand

# SJM Series - Technical Details




# 37 STRAND



Model No.	Number of Stressing Strand	Capacity	Strok	Center Hole Diameter	Rod Diameter	Cylinder Inside Diameter	Cylinder Effective Area	Oil Capacity	Locking Capacity	Working Pressure (max.)	Test Pressure	Weight
		Ton	mm	mm	mm	mm	cm <sup>2</sup>	cm <sup>3</sup>	Ton	Bar	Bar	Kg
SJM 97533	0,6" 0,62" 37 Strand	975	330	285	430	535	1392,7	19.699	40	700	800	1395

## Product Description

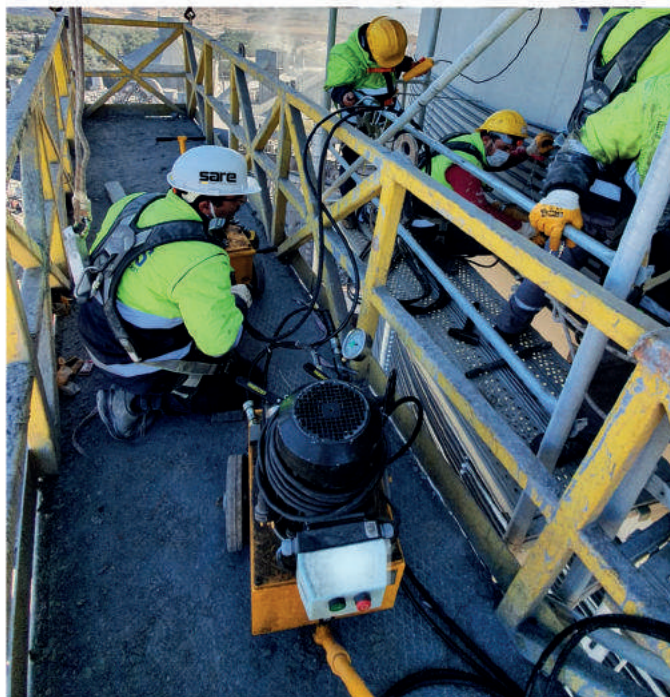
Order No.

Multi Strand Stressing Jack System For 37 Strand		SJ-97533.37.01	
	Cylinder	975 Ton Capacity - 37 Strand	MSJ-975.37.33.01
	Anchor Head Adaptor	For 37 Strand Anchor Head	AH-A.06.37.01
	Locking Adaptor	0,6" x 37 Strand	LA.06.37.01
	Complete Pipe Adaptor	0,6" x 37 Strand	PA.06.37.01
	Stressing Plate Group	0,6" x 37 Strand	SP.06.37.01
	Stressing Wedge	0,6" Stressing Wedge	SW.06.01
	Power Pack	700 Bar Working Pressure	PW.L.700.3
	Gauge For Pressure Line	Ø 100 mm 0-700 Bar	G-GL100.01
	Gauge For Locking Line	Ø 63 mm 0-200 Bar	G-GL63.01
	V5B	Shut-Off Valve	V5B.700.01
	Pressure Regulator Valve	Adjustable - 0-700 Bar	AP-R.700.01
	Starter Box	On / Off	SB.3P-01
	Hose For Pressure Line	Internal Dia 6,4 mm (8 mt)	HS-2208.01
	Hose For Return Line	Internal Dia 6,4 mm (8 mt)	HS-2208.02
	Hose For Locking Line	Internal Dia 6,4 mm (8 mt)	HS-2208.03
	Quick Coupler For Pressure Line	3/8" - C209 / 700 Bar wp	C.209.01
	Quick Coupler For Return Line	1/4" - C200 / 700 Bar wp	C.200.01
	Quick Coupler For Locking Line	3/8" - C509 / 700 Bar wp	C.509.01



SALIM  
POST-TENSIONING

## EPMS Series - Power Pack Technical Details



Model No.		EPMS-207	EPMS-257	EPMS-507	EPMS-607
Order Number		PW.L.700.0	PW.L.700.1	PW.L.700.2	PW.L.700.3
Power Pump Type		For Multi strand stressing jack with locking system			
Working Pressure	bar	700			
Displacement	l / min	2,0	2,5	5,0	6,0
Motor Power	kw	2,2	3	5,5	7,5
Motor Rpm	rpm	1400			
Reservoir Capacity	liter	32		68	92
Usable Oil Capacity	liter	25		55	70
Return Line Pressure	bar	160			
Locking Line Pressure	bar	200			
Pressure gauge (pressure line)		Ø100 mm x 0-1000 bar (gliserin filled)			
Pressure gauge (locking line)		Ø63 mm x 0-250 bar (gliserin filled)			
Directional Control Valve (stressing)		4 Way - 3 Position Manual			
Directional Control Valve (locking)		3 Way - 3 Position Manual			
Pressure Control Valve		20-700 bar Adjustable Pressure Regulator Valve			
Motor Specifications		380 V., 50Hz, 3-phase			
Motor Remote Control		With 3 meter Cord			
Hoses		10 meter long (3 pcs)			
Tank Size	kg	330 x 450 x 230		440 x 610 x 260	510 x 705 x 260
Weight	kg	95	98	158	207



Model No.	Pressure Range	Scale Diameter	Oil Port	Description
	mm	mm		
G-637D	0-700	63	1/4"	Glycerine filled. 0-700 bar calibrated scale 700-1000 bar as a danger zone. 50 bar increment.
G-1007D		100		
G-1007				63
GD-1		Digital gauge		

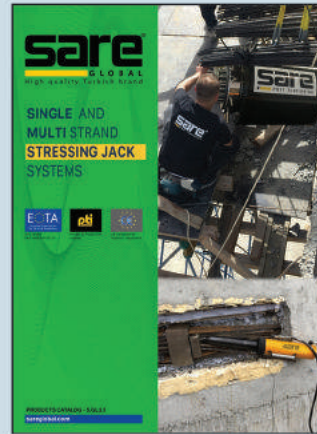
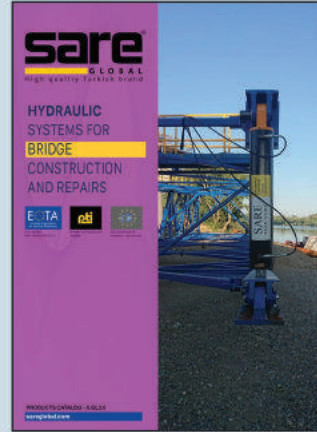


Model No.			Description
Complete Set	Female	Male	
C-209	C-211	C-213	Coupler 3/8" NPT threads max. flow capacity 35 l/min
CT-200	CT-202	CT-201	Coupler 1/4" NPT threads max. flow capacity 8 l/min



# HS Series - Hoses

Model No.	Hose Length	Hose End		Internal Diameter	Max. Working Pressure		
	mm			mm	bar		
HS-2201	1			6,40	700		
HS-2202	2						
HS-2203	3						
HS-2204	4						
HS-2206	6						
HS-2208	8	3/8" NPT male	3/8" NPT male				
HS-2210	10						
HS-2212	12						
HS-2215	15						
HSC-2201	1						
HSC-2202	2						
HSC-2203	3						
HSC-2204	4						
HSC-2206	6						
HSC-2208	8	3/8" NPT male	C-213 male coupler				
HSC-2210	10						
HSC-2212	12						
HSC-2215	15						



**sare**<sup>®</sup>  
GLOBAL  
High Quality Turkish Brand

Merkez Mah. Çavuşbaşı Cad. No.42 D.5-8 Çekmeköy 34782 İstanbul - Türkiye  
P: +90 216 313 11 13 pbx  
info@sareglobal.com • www.sareglobal.com

