

MSJ SERIES

MONO STRAND

JACK SYSTEMS



250mm Stroke

sare[®]
GLOBAL
High quality Turkish brand

DATA SHEET

1 STRAND

MONO

JACK SET

TECHNICAL

DETAILS

EC DECLARATION OF CONFORMITY

AT UYGUNLUK BEYANI

Manufacturer name

Üretici adı

**SARE MAKİNA YAPI ÜRÜNLERİ İNŞAAT TÜKETİM
MALLARI TAAHHÜT SANAYİ VE TİCARET LİMİTED
ŞİRKETİ**

Manufacturer address

Üretici adresi

**Merkez Mah. Çavuşbaşı Cad. No:42/5 Çekmeköy
İstanbul Turkey**

**herewith declare that the product described below is in conformity with the provisions of
the following essential requirements of EC Directives and standarts when installed in
accordance with the installation instructions contained in the product documentation**

*Aşağıda tarifi yapılan ürünümüz aşağıda belirtilen Avrupa Topluluğu (AT) tarafından yayınlanmış olan
ilgili Avrupa Topluluğu (AT) direktiflerinin ve standartlarının temel sağlık ve güvenlik gerekliliklerini
karşılıdığını beyan ederiz*

Product specification

Ürün tanımlaması

**Double Acting, Hydraulic Return,
Multi Strand Stressing Hydraulic**
*Çift tesirli yüksek tonajlı, hidrolik dönüşlü
çoklu halat gerdirme silindiri*

Series, Model(s)

Seriler, Modeller

**SJM Series / 60 – 1000 Ton Capacity ,
30-500 mm Stroke range**
*SJM Serisi / 60 – 1000 Ton Kapasite,
30-500 mm Strok aralığında*

European directive(s)

İlgili AT direktifleri

Machinery Directive (2006/42/EC)
Makine Emniyeti Yönetmeliği (2006/42/AT)

European standart(s)

İlgili AT standartları

**EN ISO 4413:2010
EN ISO 12100:2010**

**Authorised person to compile the
relevant technical documentation**

*Teknik dosyayı hazırlamakta yetkili
olan ve Türkiye'de yerleşik kişinin adı
ve adresi*

ERSİN UYANIK

**Merkez Mah. Çavuşbaşı Cad. No:42/5 Çekmeköy
İstanbul Turkey**

**For and on behalf of the SARE MAKİNA YAPI ÜRÜNLERİ İNŞAAT TÜKETİM MALLARI TAAHHÜT
SANAYİ VE TİCARET LİMİTED ŞİRKETİ;**

*SARE MAKİNA YAPI ÜRÜNLERİ İNŞAAT TÜKETİM MALLARI TAAHHÜT SANAYİ VE TİCARET LİMİTED ŞİRKETİ
adına;*

Signature

İmza

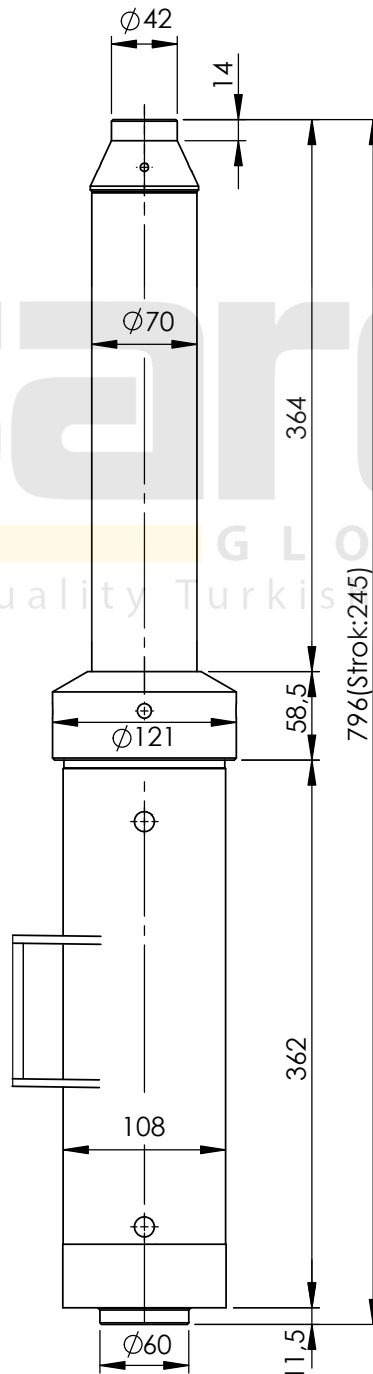


Name, Function (İsim, Görevi): ERSİN UYANIK, General Manager (Genel Müdür)

Place of issue (Yayınlanma yeri): İstanbul / Turkey

Date of issue (Yayınlanma tarihi): 1.03.2021

Model No: MSJ-2625 (26 TON)
Capacity Mono Strand Stressing Jack
Data Sheet

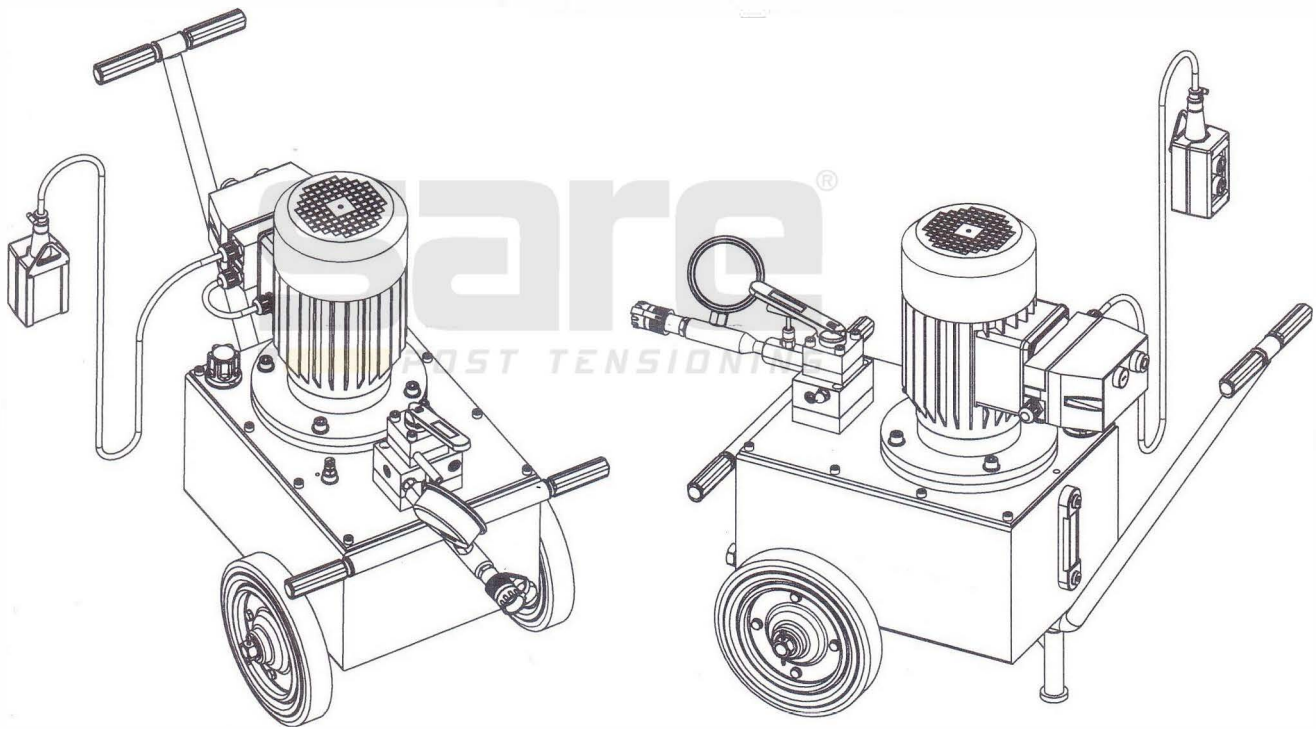


sare[®]
GLOBAL
High quality Turkish brand

Model No: MSJ-2625 (26 TON)
Capacity Mono Strand Stressing Jack
Data Sheet

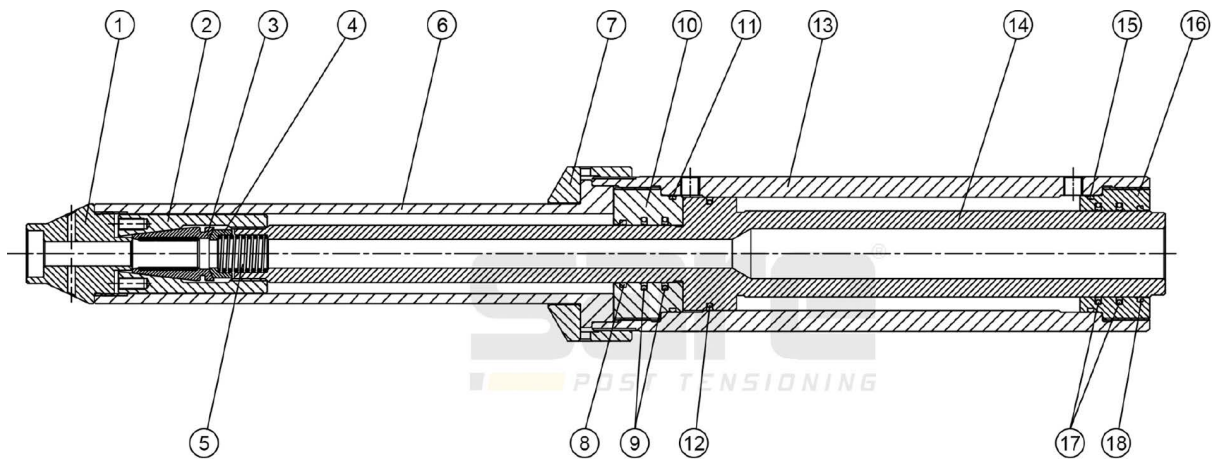
DATA SHEET	
item	data
Product Name	Mono Strand Stressing Jack
Type	Double acting, hydraulic return
Model Number	MSJ-2625
Capacity	26 ton
Strand capacity	0,5"-0,6" -0,62"
Material	Steel
Strok	245 mm
Closed height	796 mm
Extended height	1041 mm
Cylinder inside diameter	80 mm
Cylinder outside diameter	108 mm
Rod diameter	60 mm
Effective area	37,70 cm ²
Cylinder oil capacity	924 cm ³
Strand length (before stressing)	230 mm
Cylinder ports	1/4" NPT
Working pressure	700 bar
Test pressure	800 bar
Weight	30 kg

Model No : EPMS 257M25
SARE POWERPACK FOR MONO STRAND JACK
DATA SHEET



item	data
Product name	Hydraulic electric power pump
Type	Single stage for operating double acting jacks
Model no	EPS-257M25
Capacity (maximum)	700 bar
Output flow rate	2,5 liter/minute
Motor power	3 Kw
Motor rpm	1400
Tank capacity	32 liter
Usable oil capacity	25 liter
Tank size	330 x 450 x 230 (mm)
Pressure Gauge	100 mm x 0-700 bar (gliserin filled)
Valve type	4 way-3 position manuel type
Valve positions	advance - hold - retract
Return line pressure	120 bar
Adjustable pressure regulator valve	20-700 bar capacity, adjustable type
Motor specifications	380 V., 50 Hz., 3 phase
Motor remote control	Start - stop (with 3 meter cord)
Weight (full)	90 kg

Model No: MSJ-2625 (26 TON)
Capacity Mono Strand Stressing Jack
Data Sheet



MSJ-2625 Mono Strand Stressing Jack			
item		item	
1	Nose Cone	10	Front
2	Wedge Housing	11	Cover Seal
3	Stressing Wedge	12	Piston Seal
4	Spring Guide	13	Cylinder Body
5	Spring	14	Complete Piston
6	Body	15	Cover Seal
7	Body Nut	16	Back Retaining Nut
8	Wiper	17	Rod Seal(2)
9	Rod Seal(2)	18	Wiper