

MSJ SERIES

MONO STRAND

JACK SYSTEMS



300mm Stroke

sare[®]
GLOBAL
High quality Turkish brand

DATA SHEET

1 STRAND

MONO

JACK SET

TECHNICAL

DETAILS

EC DECLARATION OF CONFORMITY

AT UYGUNLUK BEYANI

Manufacturer name

Üretici adı

**SARE MAKİNA YAPI ÜRÜNLERİ İNŞAAT TÜKETİM
MALLARI TAAHHÜT SANAYİ VE TİCARET LİMİTED
ŞİRKETİ**

Manufacturer address

Üretici adresi

**Merkez Mah. Çavuşbaşı Cad. No:42/5 Çekmeköy
İstanbul Turkey**

**herewith declare that the product described below is in conformity with the provisions of
the following essential requirements of EC Directives and standarts when installed in
accordance with the installation instructions contained in the product documentation**

*Aşağıda tarifi yapılan ürünümüz aşağıda belirtilen Avrupa Topluluğu (AT) tarafından yayınlanmış olan
ilgili Avrupa Topluluğu (AT) direktiflerinin ve standartlarının temel sağlık ve güvenlik gerekliliklerini
karşıladığını beyan ederiz*

Product specification

Ürün tanımlaması

**Double Acting, Hydraulic Return,
Multi Strand Stressing Hydraulic**
*Çift tesirli yüksek tonajlı, hidrolik dönüşlü
çoklu halat gerdirme silindiri*

Series, Model(s)

Seriler, Modeller

**SJM Series / 60 – 1000 Ton Capacity ,
30-500 mm Stroke range**
*SJM Serisi / 60 – 1000 Ton Kapasite,
30-500 mm Strok aralığında*

European directive(s)

İlgili AT direktifleri

Machinery Directive (2006/42/EC)
Makine Emniyeti Yönetmeliği (2006/42/AT)

European standart(s)

İlgili AT standartları

**EN ISO 4413:2010
EN ISO 12100:2010**

**Authorised person to compile the
relevant technical documentation**

*Teknik dosyayı hazırlamakta yetkili
olan ve Türkiye’de yerleşik kişinin adı
ve adresi*

ERSİN UYANIK

**Merkez Mah. Çavuşbaşı Cad. No:42/5 Çekmeköy
İstanbul Turkey**

**For and on behalf of the SARE MAKİNA YAPI ÜRÜNLERİ İNŞAAT TÜKETİM MALLARI TAAHHÜT
SANAYİ VE TİCARET LİMİTED ŞİRKETİ;**

*SARE MAKİNA YAPI ÜRÜNLERİ İNŞAAT TÜKETİM MALLARI TAAHHÜT SANAYİ VE TİCARET LİMİTED ŞİRKETİ
adına;*

Signature

İmza

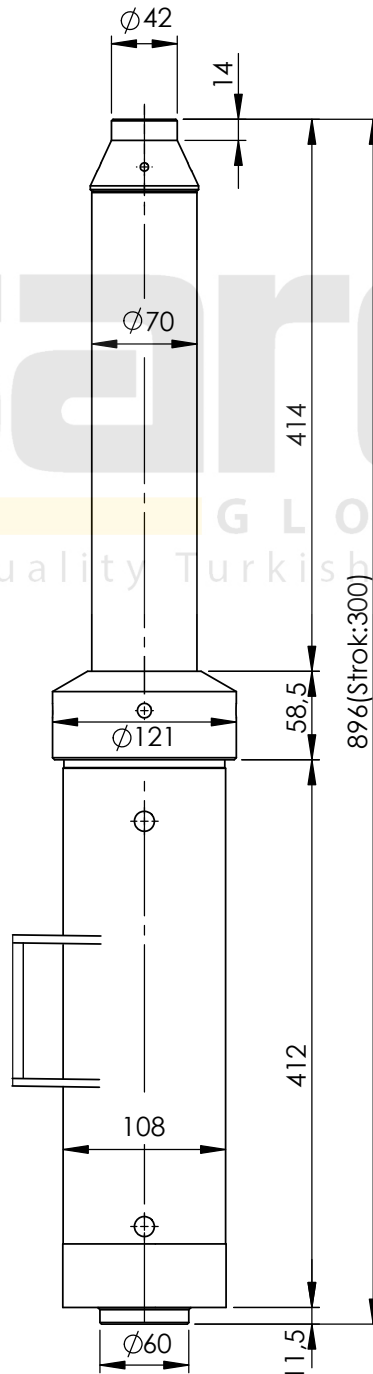
CE

Name, Function (İsim, Görevi): ERSİN UYANIK, General Manager (Genel Müdür)

Place of issue (Yayınlanma yeri): İstanbul / Turkey

Date of issue (Yayınlanma tarihi): 1.03.2021

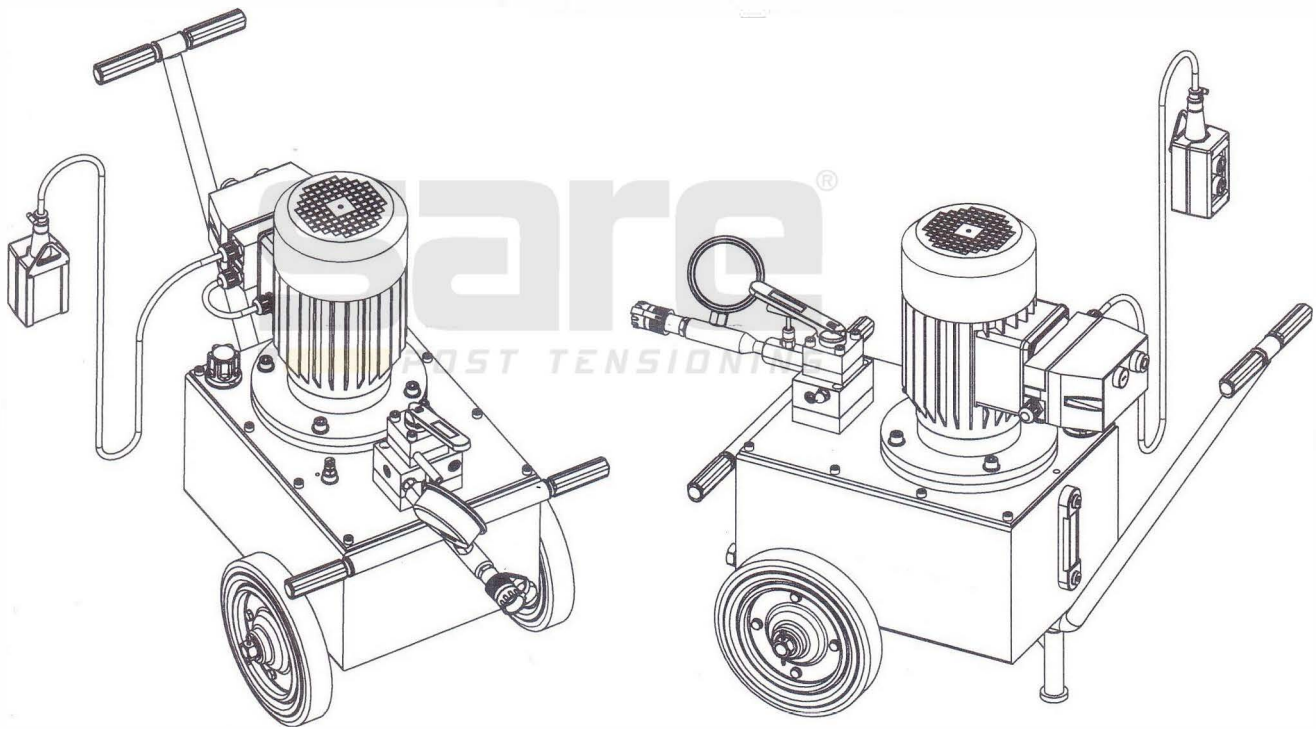
Model No: MSJ-2630 (26 TON)
Capacity Mono Strand Stressing Jack
Data Sheet



Model No: MSJ-2630 (26 TON)
Capacity Mono Strand Stressing Jack
Data Sheet

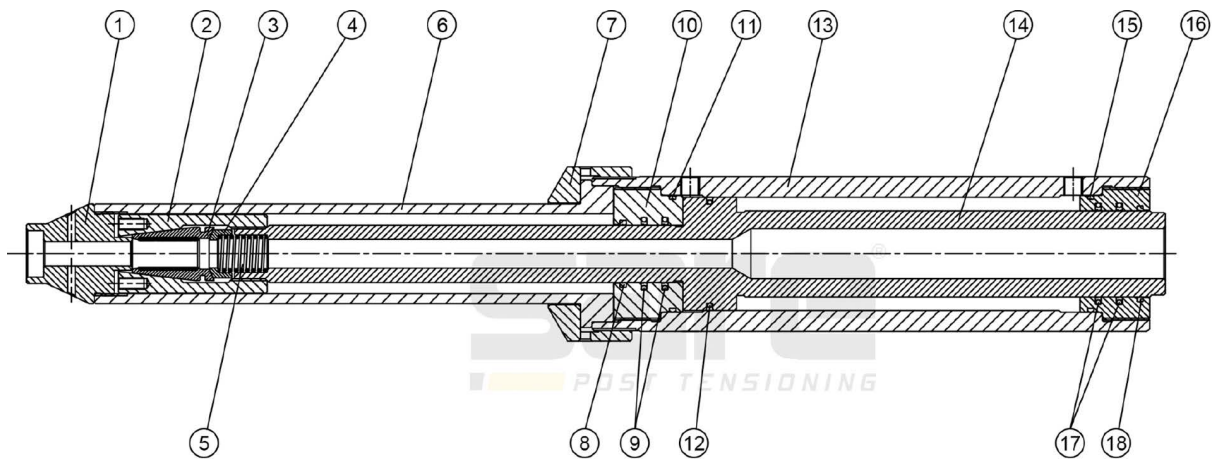
| DATA SHEET | |
|---|---------------------------------|
| item | data |
| Product Name | Mono Strand Stressing Jack |
| Type | Double acting, hydraulic return |
| Model Number | MSJ-2630 |
| Capacity | 26 ton |
| Strand capacity | 0,5"-0,6" -0,62" |
| Material | Steel |
| Strok | 300 mm |
| Closed height | 896 mm |
| Extended height | 1.196 mm |
| Cylinder inside diameter | 80 mm |
| Cylinder outside diameter | 108 mm |
| Rod diameter | 60 mm |
| Effective area | 37,70 cm ² |
| Cylinder oil capacity | 1.131 cm ³ |
| Strand length (before stressing) | 230 mm |
| Cylinder ports | 1/4" NPT |
| Working pressure | 700 bar |
| Test pressure | 800 bar |
| Weight | 33 kg |

Model No : EPMS 257M25
SARE POWERPACK FOR MONO STRAND JACK
DATA SHEET



| item | data |
|--|--|
| Product name | Hydraulic electric power pump |
| Type | Single stage for operating double acting jacks |
| Model no | EPS-257M25 |
| Capacity (maximum) | 700 bar |
| Output flow rate | 2,5 liter/minute |
| Motor power | 3 Kw |
| Motor rpm | 1400 |
| Tank capacity | 32 liter |
| Usable oil capacity | 25 liter |
| Tank size | 330 x 450 x 230 (mm) |
| Pressure Gauge | 100 mm x 0-700 bar (gliserin filled) |
| Valve type | 4 way-3 position manuel type |
| Valve positions | advance - hold - retract |
| Return line pressure | 120 bar |
| Adjustable pressure regulator valve | 20-700 bar capacity, adjustable type |
| Motor specifications | 380 V., 50 Hz., 3 phase |
| Motor remote control | Start - stop (with 3 meter cord) |
| Weight (full) | 90 kg |

Model No: MSJ-2625 (26 TON)
Capacity Mono Strand Stressing Jack
Data Sheet



| MSJ-2625 Mono Strand Stressing Jack | | | |
|-------------------------------------|-----------------|------|--------------------|
| item | | item | |
| 1 | Nose Cone | 10 | Front |
| 2 | Wedge Housing | 11 | Cover Seal |
| 3 | Stressing Wedge | 12 | Piston Seal |
| 4 | Spring Guide | 13 | Cylinder Body |
| 5 | Spring | 14 | Complete Piston |
| 6 | Body | 15 | Cover Seal |
| 7 | Body Nut | 16 | Back Retaining Nut |
| 8 | Wiper | 17 | Rod Seal(2) |
| 9 | Rod Seal(2) | 18 | Wiper |