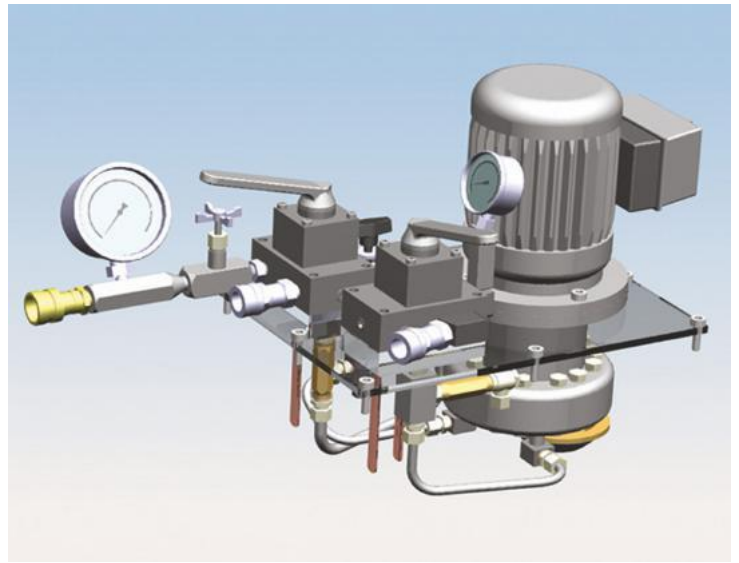
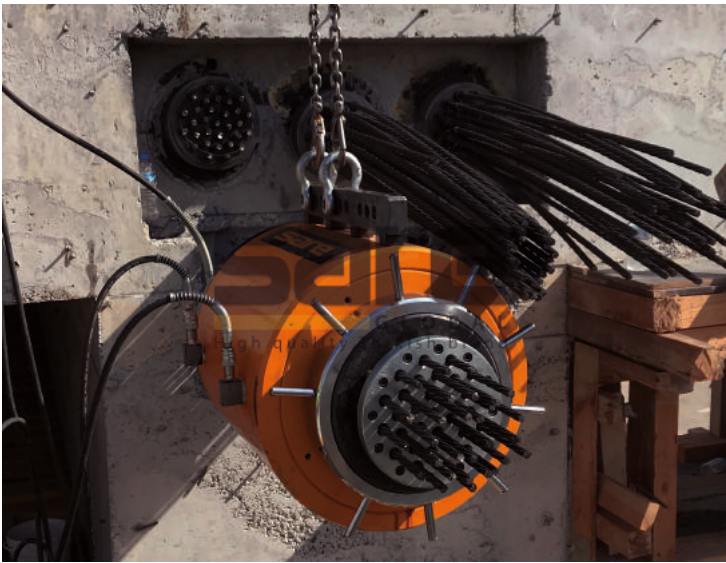


SJM SERIES  
MULTI STRAND  
JACK SYSTEMS



**sare**<sup>®</sup>  
GLOBAL  
High quality Turkish brand

DATA SHEET

37 STRAND  
MULTI  
JACK SET  
TECHNICAL  
DETAILS

# EC DECLARATION OF CONFORMITY

## AT UYGUNLUK BEYANI

**Manufacturer name**

*Üretici adı*

**SARE MAKİNA YAPI ÜRÜNLERİ İNŞAAT TÜKETİM  
MALLARI TAAHHÜT SANAYİ VE TİCARET LİMİTED  
ŞİRKETİ**

**Manufacturer address**

*Üretici adresi*

**Merkez Mah. Çavuşbaşı Cad. No:42/5 Çekmeköy  
İstanbul Turkey**

**herewith declare that the product described below is in conformity with the provisions of  
the following essential requirements of EC Directives and standarts when installed in  
accordance with the installation instructions contained in the product documentation**

*Aşağıda tarifi yapılan ürünümüz aşağıda belirtilen Avrupa Topluluğu (AT) tarafından yayınlanmış olan  
ilgili Avrupa Topluluğu (AT) direktiflerinin ve standartlarının temel sağlık ve güvenlik gerekliliklerini  
karşıladığını beyan ederiz*

**Product specification**

*Ürün tanımlaması*

**Double Acting, Hydraulic Return,  
Multi Strand Stressing Hydraulic**

*Çift tesirli yüksek tonajlı, hidrolik dönüşlü  
çoklu halat gerdirme silindiri*

**Series, Model(s)**

*Seriler, Modeller*

**SJM Series / 60 – 1000 Ton Capacity ,  
30-500 mm Stroke range**

*SJM Serisi / 60 – 1000 Ton Kapasite,  
30-500 mm Strok aralığında*

**European directive(s)**

*İlgili AT direktifleri*

**Machinery Directive (2006/42/EC)**

*Makine Emniyeti Yönetmeliği (2006/42/AT)*

**European standart(s)**

*İlgili AT standartları*

**EN ISO 4413:2010**

**EN ISO 12100:2010**

**Authorised person to compile the  
relevant technical documentation**

*Teknik dosyayı hazırlamakta yetkili  
olan ve Türkiye’de yerleşik kişinin adı  
ve adresi*

**ERSİN UYANIK**

**Merkez Mah. Çavuşbaşı Cad. No:42/5 Çekmeköy  
İstanbul Turkey**

**For and on behalf of the SARE MAKİNA YAPI ÜRÜNLERİ İNŞAAT TÜKETİM MALLARI TAAHHÜT  
SANAYİ VE TİCARET LİMİTED ŞİRKETİ;**

*SARE MAKİNA YAPI ÜRÜNLERİ İNŞAAT TÜKETİM MALLARI TAAHHÜT SANAYİ VE TİCARET LİMİTED ŞİRKETİ  
adına;*

**Signature**

*İmza*

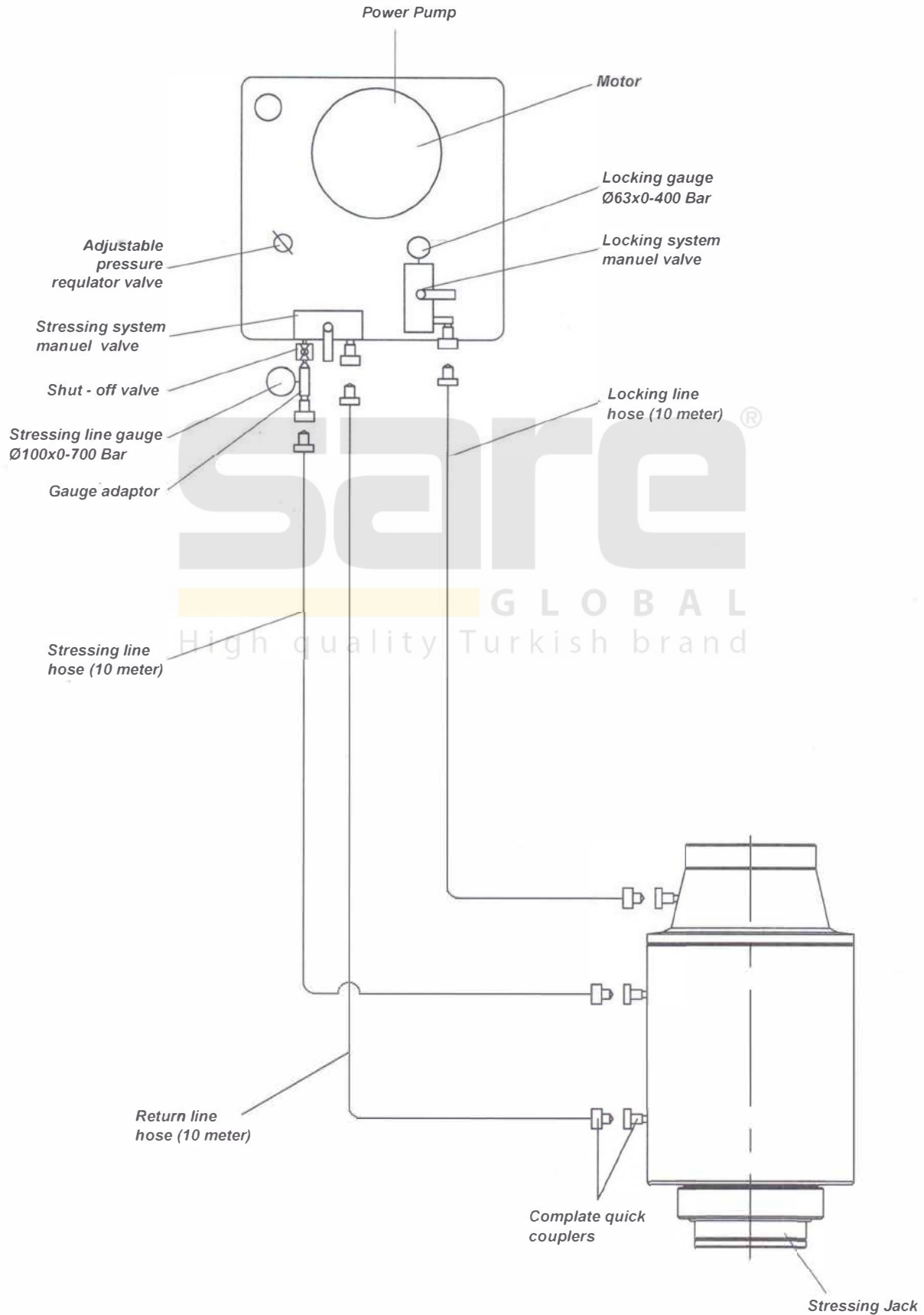
**CE**

**Name, Function (İsim, Görevi): ERSİN UYANIK, General Manager (Genel Müdür)**

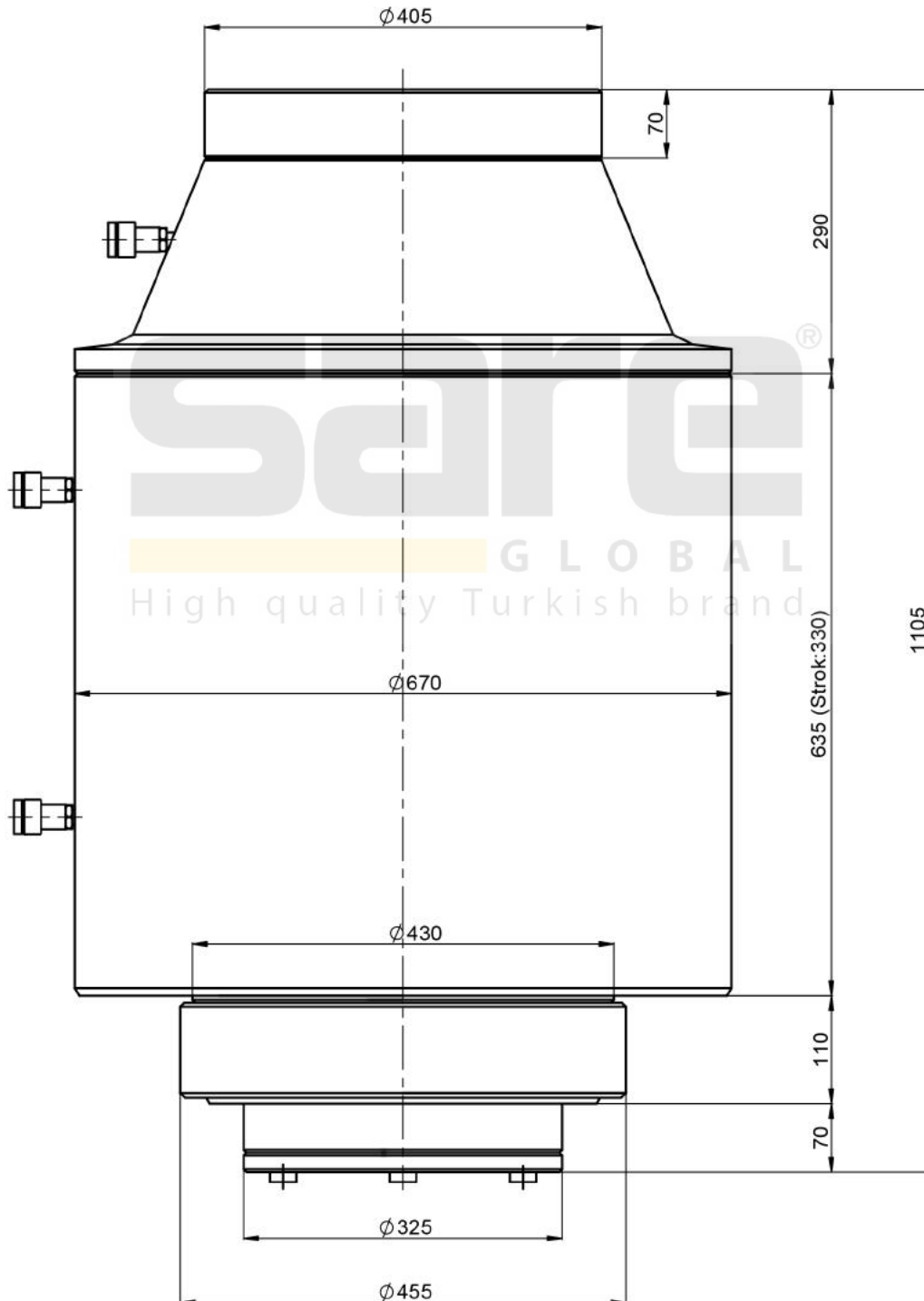
**Place of issue (Yayınlanma yeri): İstanbul / Turkey**

**Date of issue (Yayınlanma tarihi): 1.03.2021**

## SYSTEM SHEMA

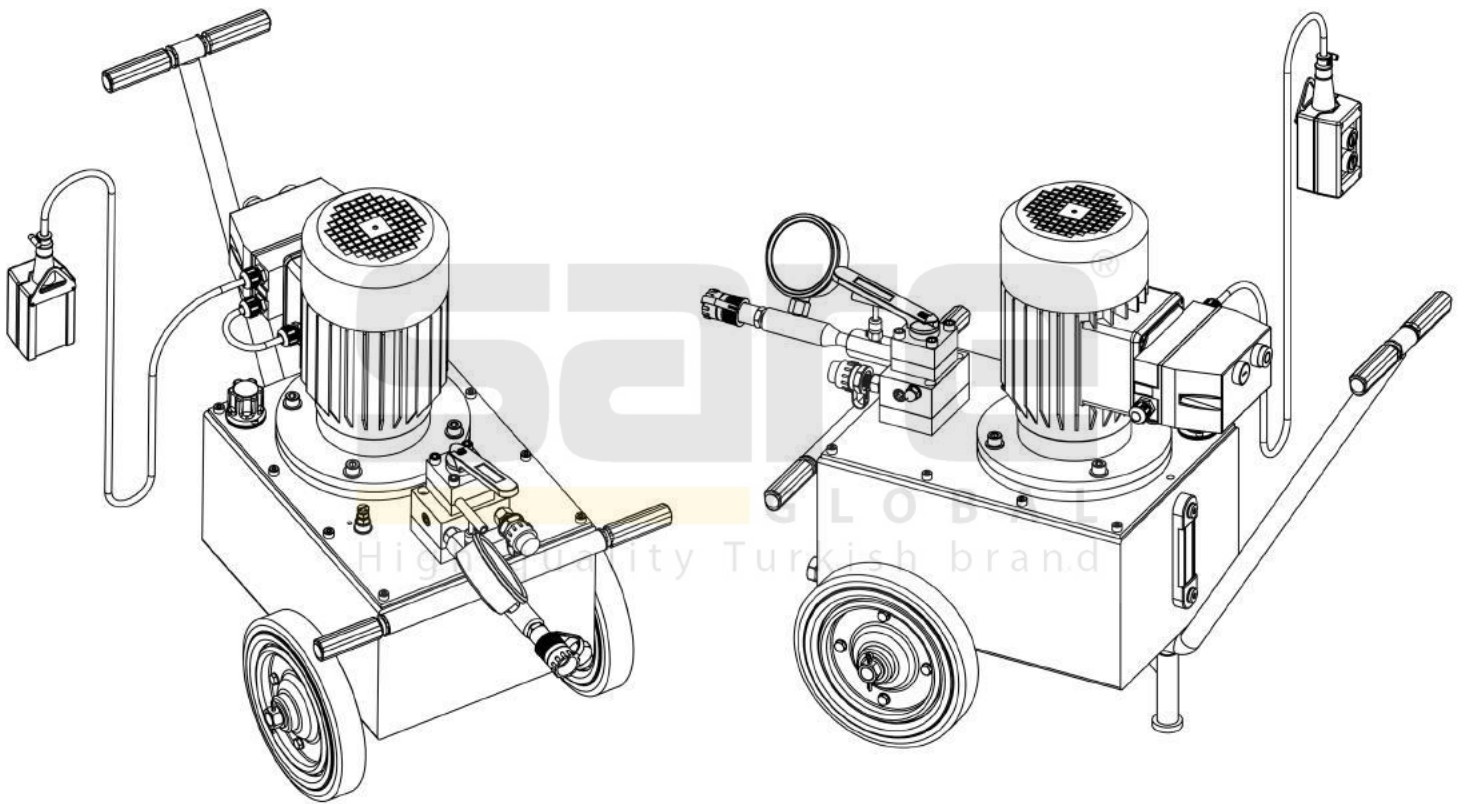


**Model No: SJM - 97533 (37 Strand)**  
**975 Ton Capacity Multi Strand Stressing Jack**  
**Data Sheet**



<b>Hydraulic Jack Data Sheet</b>	
item	data
<b>Product</b>	Hydraulic multi strand stressing jack
<b>Type</b>	Multi strand stressing jack with locking system
<b>Model no</b>	SJM-97533
<b>Capacity</b>	975 ton
<b>Number of stressing strand</b>	0,6" x 37 strand
<b>Strok</b>	330 mm
<b>Closed height</b>	1105 mm
<b>Cylinder outside diameter</b>	670 mm
<b>Center hole diameter</b>	285 mm
<b>Rod diameter</b>	430 mm
<b>Cylinder inside diameter</b>	535 mm
<b>Cylinder effective area</b>	1.392,70 cm <sup>2</sup>
<b>Oil Capacity</b>	19.699 cm <sup>3</sup>
<b>Locking capacity</b>	40 ton
<b>Cylinder ports</b>	3/8" NPT
<b>Working pressure(maximum)</b>	700 bar
<b>Test pressure</b>	800 bar
<b>Weight</b>	1395 kg

**Model No: EPMS - 607 Hydraulic Electric**  
Power Pack Data Sheet



<b>Powerpack Data Sheet</b>	
item	data
Product name	Hydraulic electric power pack
Type	For Multi strand stressing jack with locking system
Model no	<b>EPMS-607</b>
Maximum operating pressure	<b>700 bar</b>
Displacement	6,0 liter/minute
Motor Power	7,5 Kw
Motor rpm	1400
Tank capacity	92 liter
Usable oil capacity	70 liter
Tank size	510 x 705 x 260 (mm)
Pressure Gauge (stressing line)	100 mm x 0-1000 bar (gliserin filled)
Pressure Gauge (locking line)	63 mm x 0-250 bar (gliserin filled)
Locking line pressure	200 bar
Return line pressure	160 bar
Directional control valve (stressing)	4 way-3 position manuel type
Directional control valve (locking)	3 way-3 position manuel type
Valve positions	advance - hold - retract
Valve ports	3/8" NPT
Adjustable pressure regulator valve	20-700 bar capacity, adjustable type
Motor specifications	380 V., 50 Hz., trifaze
Motor remote control	Start - stop (with 3 meter cord)
Hoses	10 meter long (3pcs)
Weight (full)	207 kg