

MSJ SERIES

MONO STRAND

JACK SYSTEMS



300mm Stroke



DATA SHEET

1 STRAND

MONO

JACK SET

TECHNICAL

DETAILS

# EC DECLARATION OF CONFORMITY

## AT UYGUNLUK BEYANI

**Manufacturer name**

*Üretici adı*

**SARE MAKİNA YAPI ÜRÜNLERİ İNŞAAT TÜKETİM  
MALLARI TAAHHÜT SANAYİ VE TİCARET LİMİTED  
ŞİRKETİ**

**Manufacturer address**

*Üretici adresi*

**Merkez Mah. Çavuşbaşı Cad. No:42/5 Çekmeköy  
İstanbul Turkey**

**herewith declare that the product described below is in conformity with the provisions of  
the following essential requirements of EC Directives and standarts when installed in  
accordance with the installation instructions contained in the product documentation**

*Aşağıda tarifi yapılan ürünümüz aşağıda belirtilen Avrupa Topluluğu (AT) tarafından yayınlanmış olan  
ilgili Avrupa Topluluğu (AT) direktiflerinin ve standartlarının temel sağlık ve güvenlik gerekliliklerini  
karşıladığını beyan ederiz*

**Product specification**

*Ürün tanımlaması*

**Double Acting, Hydraulic Return,  
Multi Strand Stressing Hydraulic**  
*Çift tesirli yüksek tonajlı, hidrolik dönüşlü  
çoklu halat gerdirme silindiri*

**Series, Model(s)**

*Seriler, Modeller*

**SJM Series / 60 – 1000 Ton Capacity ,  
30-500 mm Stroke range**  
*SJM Serisi / 60 – 1000 Ton Kapasite,  
30-500 mm Strok aralığında*

**European directive(s)**

*İlgili AT direktifleri*

**Machinery Directive (2006/42/EC)**  
*Makine Emniyeti Yönetmeliği (2006/42/AT)*

**European standart(s)**

*İlgili AT standartları*

**EN ISO 4413:2010  
EN ISO 12100:2010**

**Authorised person to compile the  
relevant technical documentation**

*Teknik dosyayı hazırlamakta yetkili  
olan ve Türkiye'de yerleşik kişinin adı  
ve adresi*

**ERSİN UYANIK**

**Merkez Mah. Çavuşbaşı Cad. No:42/5 Çekmeköy  
İstanbul Turkey**

**For and on behalf of the SARE MAKİNA YAPI ÜRÜNLERİ İNŞAAT TÜKETİM MALLARI TAAHHÜT  
SANAYİ VE TİCARET LİMİTED ŞİRKETİ;**

*SARE MAKİNA YAPI ÜRÜNLERİ İNŞAAT TÜKETİM MALLARI TAAHHÜT SANAYİ VE TİCARET LİMİTED ŞİRKETİ  
adına;*

**Signature**

*İmza*

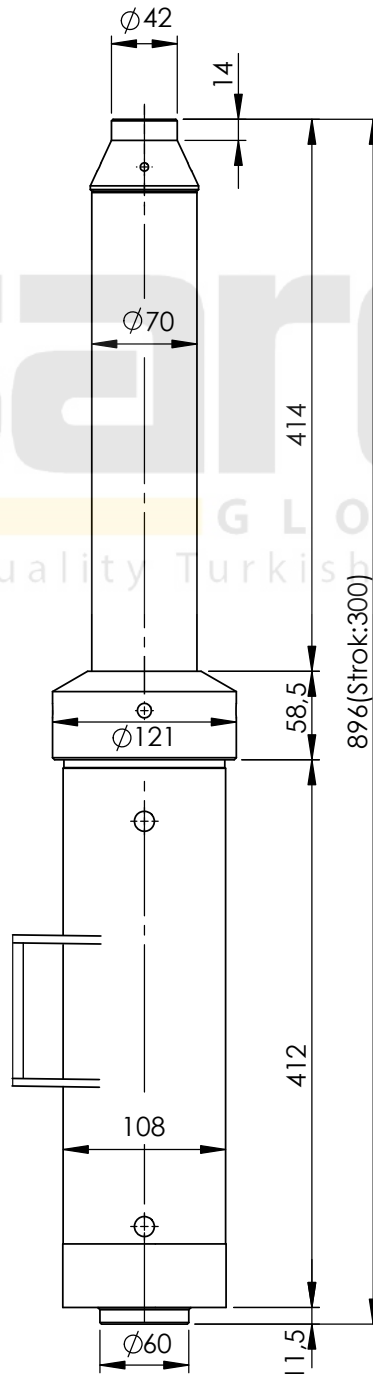
**CE**

**Name, Function (İsim, Görevi): ERSİN UYANIK, General Manager (Genel Müdür)**

**Place of issue (Yayınlanma yeri): İstanbul / Turkey**

**Date of issue (Yayınlanma tarihi): 1.03.2021**

**Model No: MSJ-2630 (26 TON)**  
**Capacity Mono Strand Stressing Jack**  
**Data Sheet**

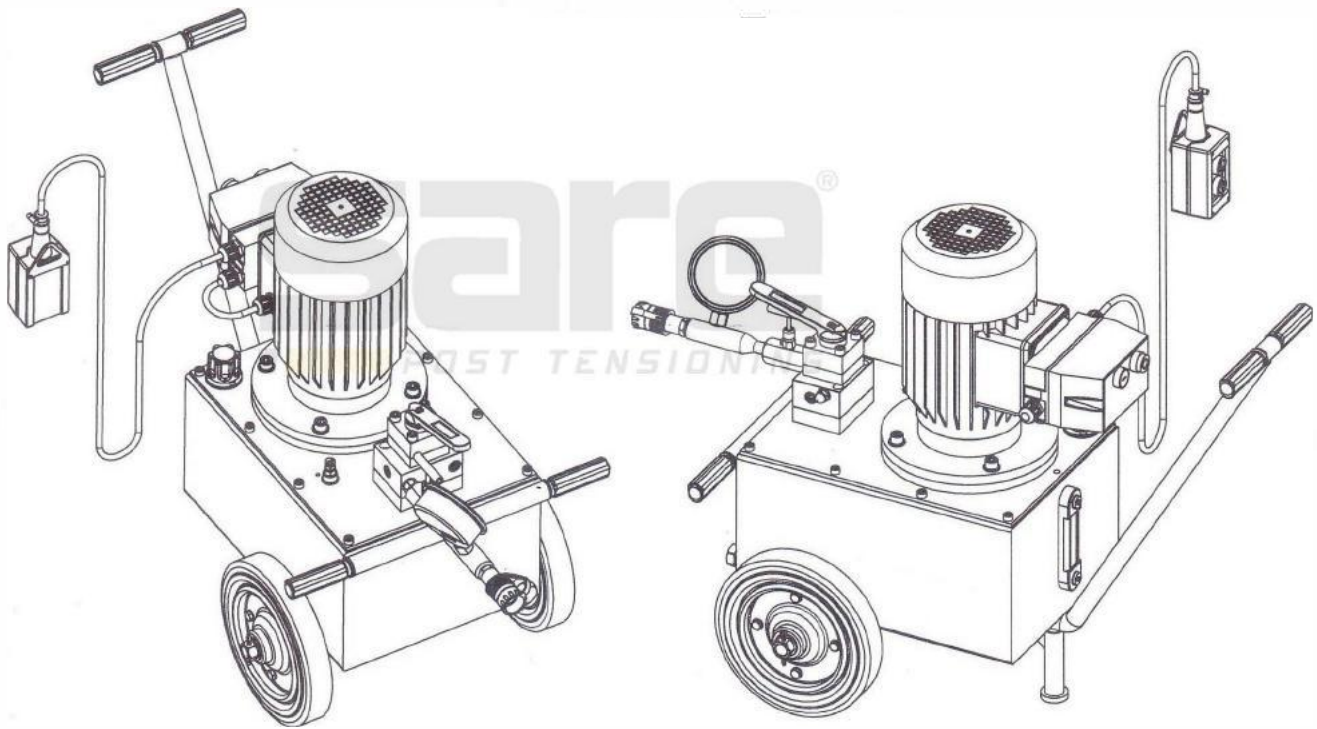


sare<sup>®</sup>  
GLOBAL  
High quality Turkish brand

**Model No: MSJ-2630 (26 TON)**  
**Capacity Mono Strand Stressing Jack**  
**Data Sheet**

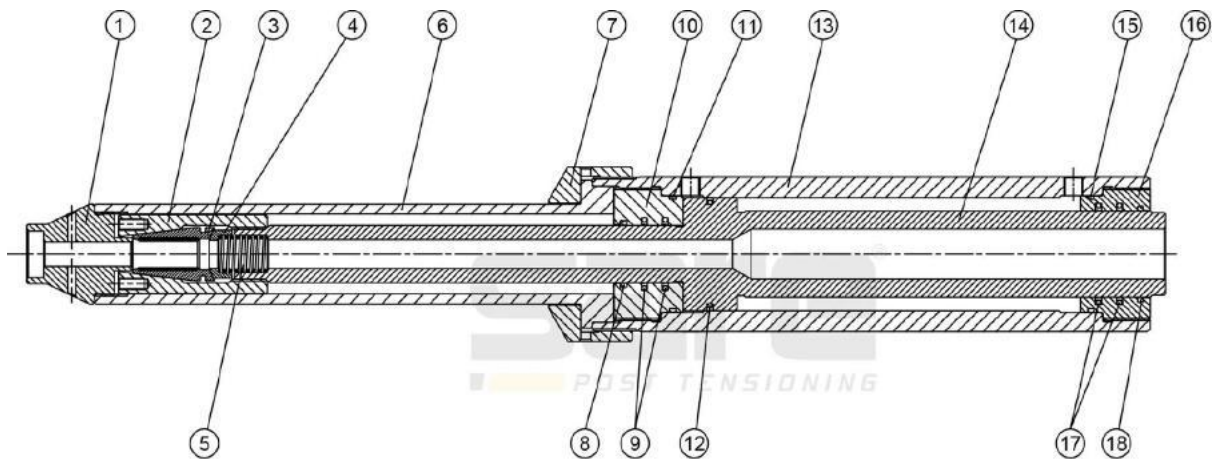
<b>DATA SHEET</b>	
item	data
<b>Product Name</b>	Mono Strand Stressing Jack
<b>Type</b>	Double acting, hydraulic return
<b>Model Number</b>	MSJ-2630
<b>Capacity</b>	26 ton
<b>Strand capacity</b>	0,5"-0,6" -0,62"
<b>Material</b>	Steel
<b>Strok</b>	300 mm
<b>Closed height</b>	896 mm
<b>Extended height</b>	1.196 mm
<b>Cylinder inside diameter</b>	80 mm
<b>Cylinder outside diameter</b>	108 mm
<b>Rod diameter</b>	60 mm
<b>Effective area</b>	37,70 cm <sup>2</sup>
<b>Cylinder oil capacity</b>	1.131 cm <sup>3</sup>
<b>Strand length (before stressing)</b>	230 mm
<b>Cylinder ports</b>	1/4" NPT
<b>Working pressure</b>	700 bar
<b>Test pressure</b>	800 bar
<b>Weight</b>	33 kg

Model No : EPMS 257M25  
SARE POWERPACK FOR MONO STRAND JACK  
DATA SHEET



item	data
<b>Product name</b>	Hydraulic electric power pump
<b>Type</b>	Single stage for operating double acting jacks
<b>Model no</b>	<b>EPS-257M25</b>
<b>Capacity (maximum)</b>	700 bar
<b>Output flow rate</b>	2,5 liter/minute
<b>Motor power</b>	3 Kw
<b>Motor rpm</b>	1400
<b>Tank capacity</b>	32 liter
<b>Usable oil capacity</b>	25 liter
<b>Tank size</b>	330 x 450 x 230 (mm)
<b>Pressure Gauge</b>	100 mm x 0-700 bar (gliserin filled)
<b>Valve type</b>	4 way-3 position manuel type
<b>Valve positions</b>	advance - hold - retract
<b>Return line pressure</b>	120 bar
<b>Adjustable pressure regulator valve</b>	20-700 bar capacity, adjustable type
<b>Motor specifications</b>	380 V., 50 Hz., 3 phase
<b>Motor remote control</b>	Start - stop (with 3 meter cord)
<b>Weight (full)</b>	90 kg

**Model No: MSJ-2625 (26 TON)**  
**Capacity Mono Strand Stressing Jack**  
**Data Sheet**



MSJ-2625 Mono Strand Stressing Jack			
item		item	
1	Nose Cone	10	Front
2	Wedge Housing	11	Cover Seal
3	Stressing Wedge	12	Piston Seal
4	Spring Guide	13	Cylinder Body
5	Spring	14	Complete Piston
6	Body	15	Cover Seal
7	Body Nut	16	Back Retaining Nut
8	Wiper	17	Rod Seal(2)
9	Rod Seal(2)	18	Wiper