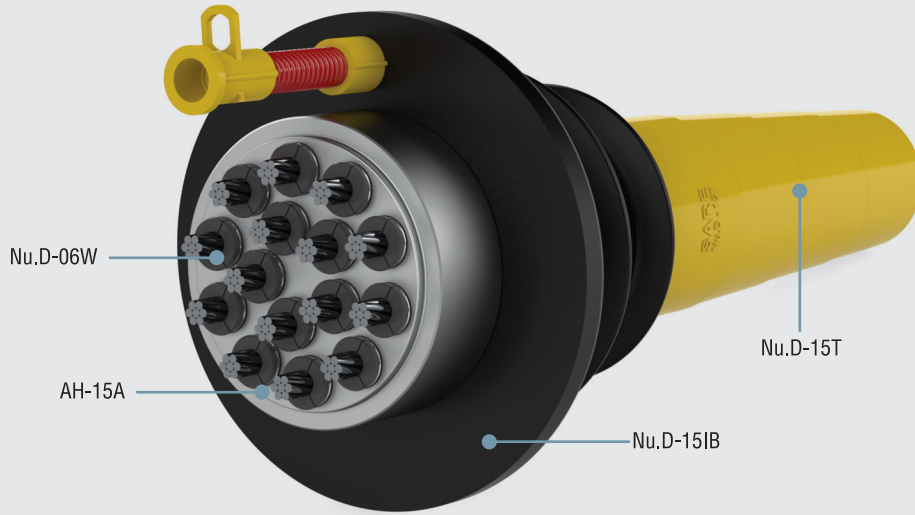


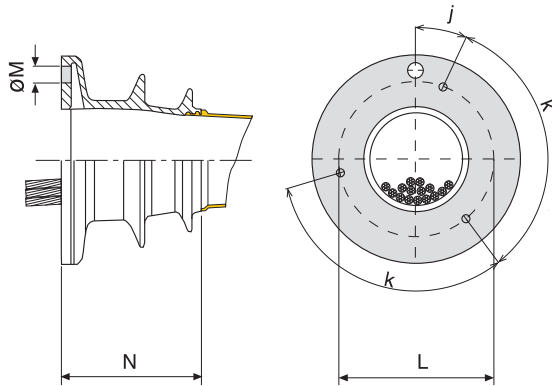
15 Halatlı Aktif Tip Ard Germe Grubu

15 Strand Active Post Tension Group

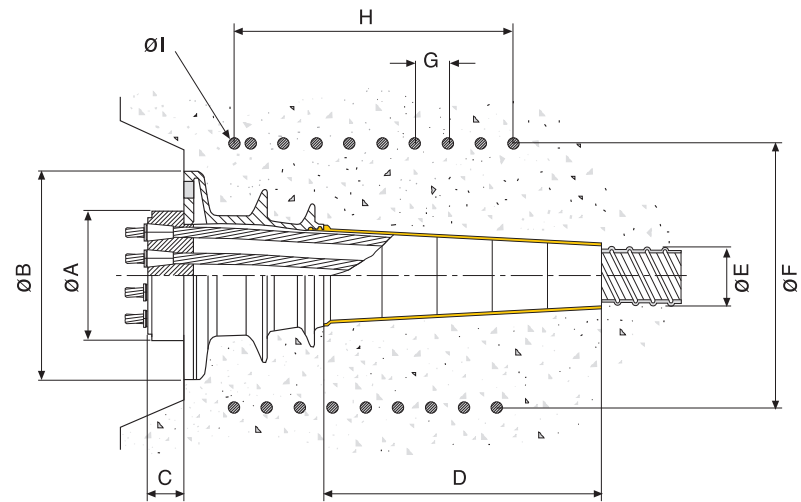
AG-15



AG-15	Adet / Number	(t) Sayfa / Page
AH-15A	1	33
Nu.D-15IB	1	34
Nu.D-15T	1	35
Nu.D-06W	15	32
Germe Krikosu / Stressing Jack		(t) Sayfa / Page
SJM-390 / 330		37
Galvaniz Boru / Galvanized Corrugated Duct		(t) Sayfa / Page
GSP-15		38
Grup Kapasitesi / Group Capacity		
0.5"		3450 kN
0.6"		4140 kN
0.62"		4275 kN



Model No.	J	K	L	M	N
	Ø (mm)	Ø (mm)	Ø (mm)	Ø (mm)	mm
Nu.D-15IB	20°	120°	235	G 3/4"	193



Model No.	A	B	C	D	E	F	G	H	I
	Ø (mm)	Ø (mm)	mm	mm	Ø (mm)	Ø (mm)	mm	mm	Ø (mm)
AG-15	178	290	67	403	92	350	65	455	14