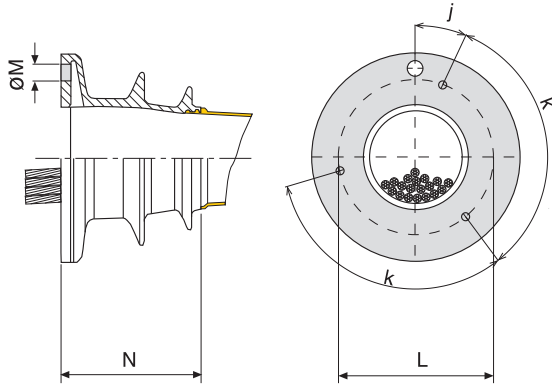
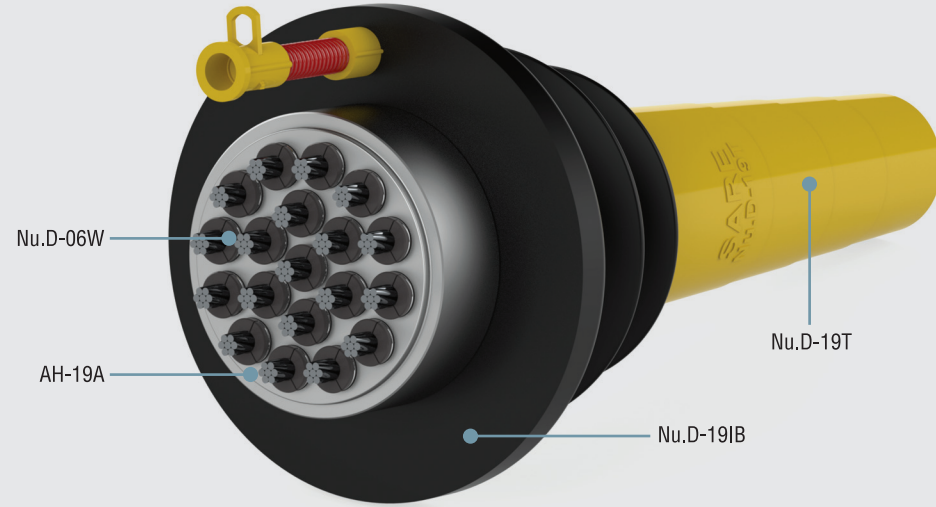


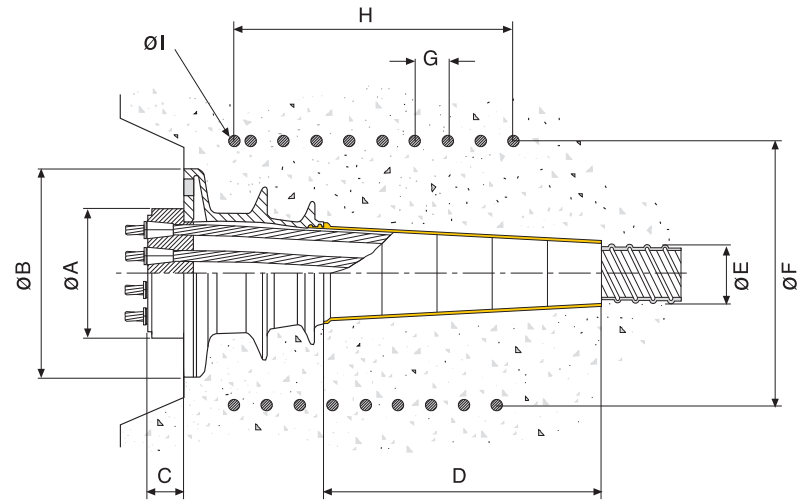
AG-19

19 Halatlı Aktif Tip Ard Germe Grubu 19 Strand Active Post Tension Group

AG-19	Adet / Number	(i) Sayfa / Page
AH-19A	1	33
Nu.D-19IB	1	34
Nu.D-19T	1	35
Nu.D-06W	19	32
Germe Krikosu / Stressing Jack (i) Sayfa / Page		
SJM-580 / 330		37
Galvaniz Boru / Galvanized Corrugated Duct (i) Sayfa / Page		
GSP-19		38
Grup Kapasitesi / Group Capacity		
0.5"		4370 kN
0.6"		5244 kN
0.62"		5415 kN



Model No.	J	K	L	M	N
	Ø (mm)	Ø (mm)	Ø (mm)	Ø (mm)	mm
Nu.D-19IB	20°	120°	235	G 3/4"	204



Model No.	A	B	C	D	E	F	G	H	I
	Ø (mm)	Ø (mm)	mm	mm	Ø (mm)	Ø (mm)	mm	mm	Ø (mm)
AG-19	198	321	72	431	93	400	70	490	16