

FL-F

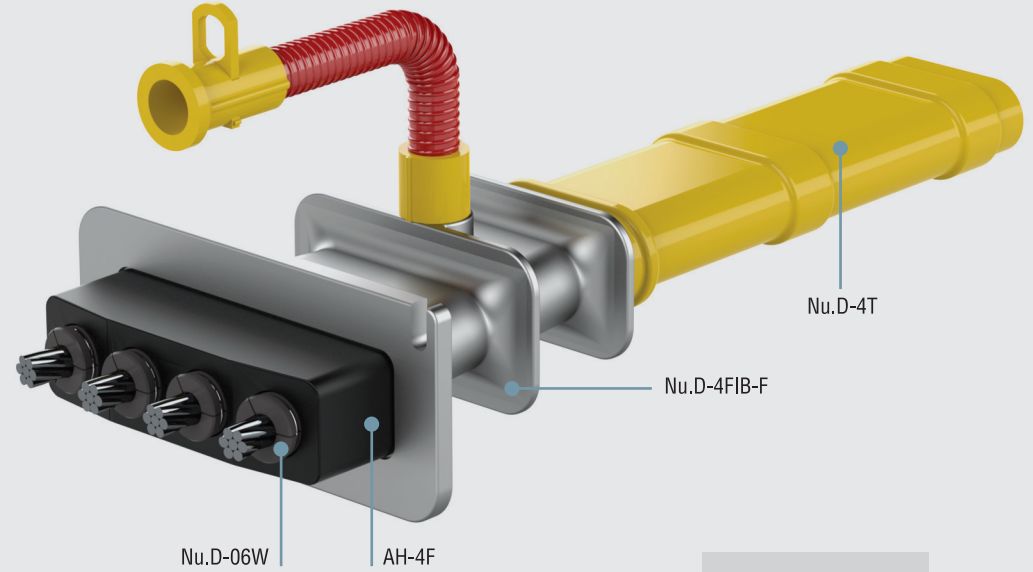
Düz Tip Ard Germe Grubu Flat Type Post Tension Group

Germe Krikosu / Stressing Jack (i) Sayfa / Page
SJS-1L / 200 37

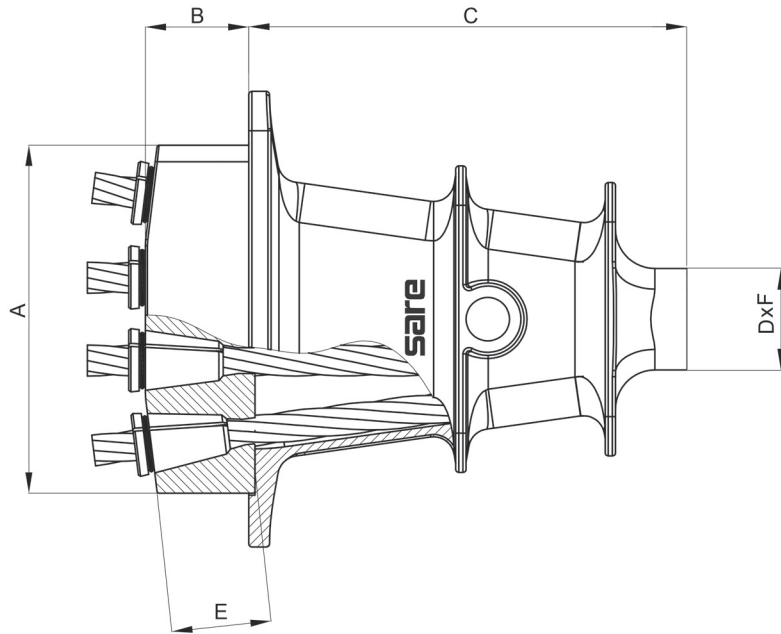
Galvaniz Boru / Galvanized Corrugated Duct (i) Sayfa / Page
GSP-4 38

Grup Kapasitesi / Group Capacity

0.5"	2070 kN
0.6"	2484 kN
0.62"	2565 kN



FL-4F/06 Set



Model No.	A mm	B mm	C mm	D x F mm	E mm
FL-3F/05	130	47	195	72x20	47
FL-4F/05	168	50	234		
FL-5F/05	205	50	245		
FL-3F/06	130	47	195	90x20	47
FL-4F/06	168	50	234		
FL-5F/06	205	50	245		