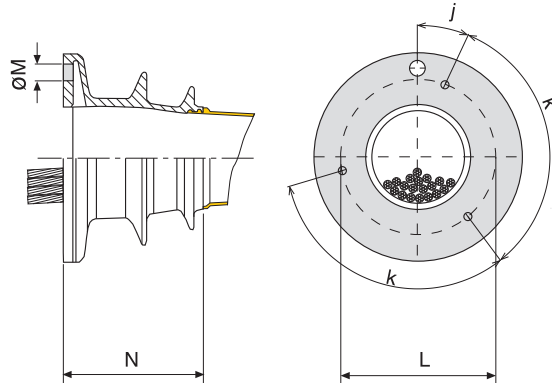
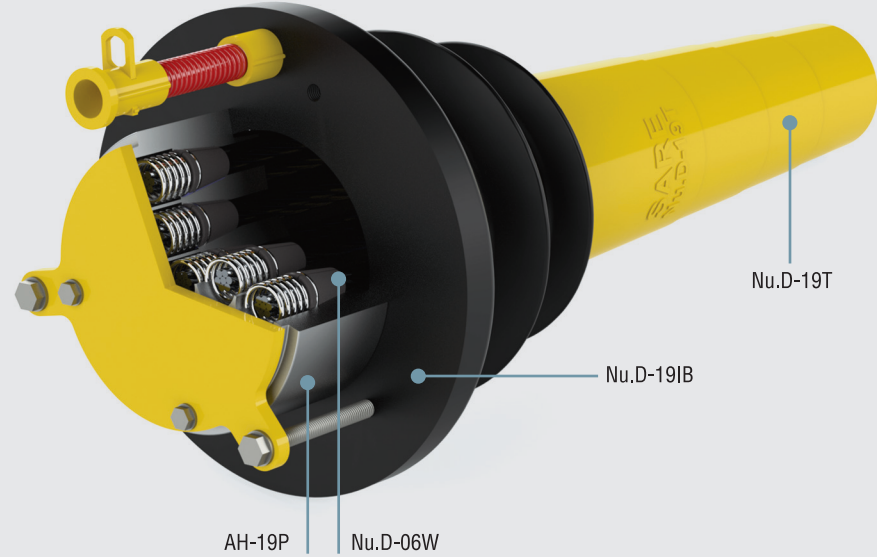


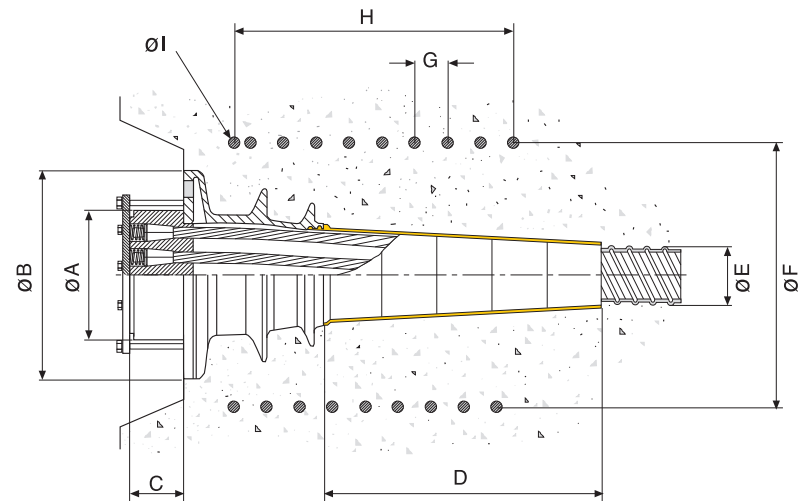
# PG-19

## 19 Halatlı Pasif Tip Ard Germe Grubu 19 Strand Passive Post Tension Group

PG-19	Adet / Number	(i) Sayfa / Page
AH-19P	1	33
Nu.D-19IB	1	34
Nu.D-19T	1	35
Nu.D-06W	19	32
Germe Krikosu / Stressing Jack		(i) Sayfa / Page
SJM-580 / 330		37
Galvaniz Boru / Galvanized Corrugated Duct		(i) Sayfa / Page
GSP-19		38
Grup Kapasitesi / Group Capacity		
0.5"		4370 kN
0.6"		5244 kN
0.62"		5415 kN



Model No.	J	K	L	M	N
	Ø (mm)	Ø (mm)	Ø (mm)	Ø (mm)	mm
Nu.D-19IB	20°	120°	235	G 3/4"	204



Model No.	A	B	C	D	E	F	G	H	I
	Ø (mm)	Ø (mm)	mm	mm	Ø (mm)	Ø (mm)	mm	mm	Ø (mm)
PG-19	198	321	91	431	93	400	70	490	16